



✉ 33 West Beaver Creek Road Richmond Hill
Ontario Canada L4B 1L8

☎ 800.660.5391

☎ 800.660.5390

✉ info@eurofase.com

🌐 www.eurofase.com



TIVERTON , 4-LIGHT CHANDELIER

Product Specifications

Item No.:	16534-018
Height:	24"
Chain / Cord Length:	120"
Diameter:	19.75"
Est. Shipping Weight:	23.10 lbs
No. of Bulbs:	4
Bulb Wattage:	60 watts
Bulb Type:	A19
Bulb Base:	E26
Bulb Voltage:	120 volts

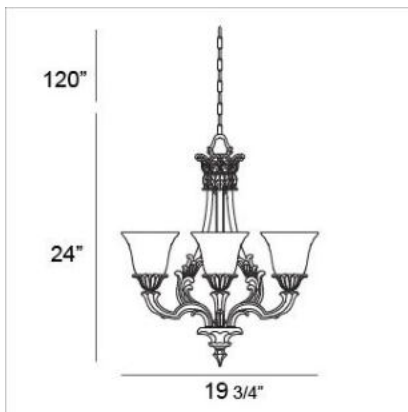
Options Available

ITEM CODE	FINISH	SHADE
16534-018	antique rust	amber

Colour / Shades Available

FINISH	SHADE
antique rust	amber

Luxurious and thick caramel arms support soft amber glass in this colonial masterpiece. Complex handcrafted designs embellishing the arms accentuate the un unique and radiant strength of this family.



Project Information

Job Name: Canadalite.com Date: _____ Type: _____

Comments: 1 (888) 887-7038, info@canadalite.com