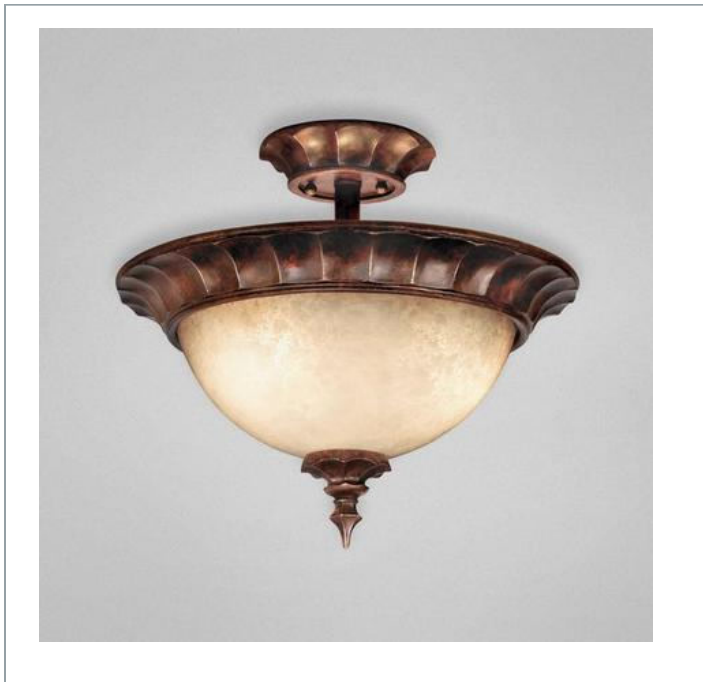





✉ 33 West Beaver Creek Road Richmond Hill
 Ontario Canada L4B 1L8
 ☎ 800.660.5391
 ☎ 800.660.5390
 📧 info@eurofase.com
 🌐 www.eurofase.com



TIVERTON , 3-LIGHT SEMI-FLUSHMOUNT

Product Specifications

Item No.: 16533-011
 Height: 12"
 Diameter: 18"
 Est. Shipping Weight: 19.80 lbs
 No. of Bulbs: 3
 Bulb Wattage: 60 watts
 Bulb Type: A19 
 Bulb Base: E26
 Bulb Voltage: 120 volts

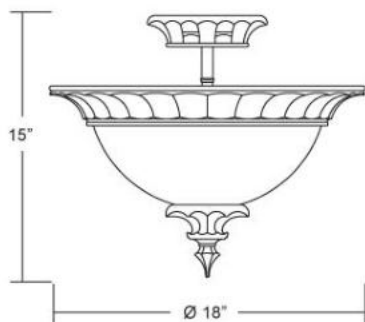
Options Available

ITEM CODE	FINISH	SHADE
16532-014	antique rust	amber
16533-011	antique rust	amber

Colour / Shades Available

FINISH	SHADE
antique rust	 amber
antique rust	 amber

Luxurious and thick caramel arms support soft amber glass in this colonial masterpiece. Complex handcrafted designs embellishing the arms accentuate the un unique and radiant strength of this family.



Project Information

Job Name: Canadalite.com Date: _____ Type: _____
 Comments: 1 (888) 887-7038, info@canadalite.com