



✉ 33 West Beaver Creek Road Richmond Hill
Ontario Canada L4B 1L8

☎ 800.660.5391

☎ 800.660.5390


✉ info@eurofase.com

🌐 www.eurofase.com



TEMPEST , 9-LIGHT CHANDELIER

Product Specifications

Item No.: 17506-014
 Height: 34"
 Chain / Cord Length: 72"
 Diameter: 32"
 Est. Shipping Weight: 27.28 lbs
 No. of Bulbs: 9
 Bulb Wattage: 40 watts
 Bulb Type: B10 
 Bulb Base: E12
 Bulb Voltage: 120 volts

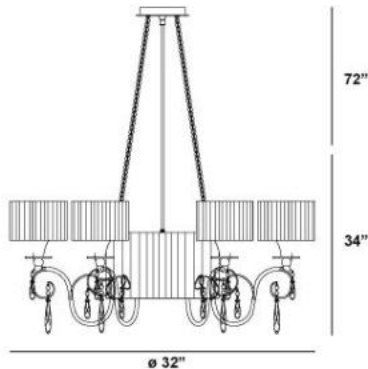
Options Available

| ITEM CODE | FINISH | SHADE |
|-----------|-------------|--------|
| 17506-014 | gold leaf | gold |
| 17506-021 | silver leaf | silver |

Colour / Shades Available

| FINISH | SHADE |
|-------------|----------------------------------------------------------------------------------------------|
| gold leaf |  gold |
| silver leaf |  silver |

Shimmering pleated shades perch atop curled arms, and a burnished vintage finish is complemented by a teardrop glass ornamentation. The finishing touch is matching beading, draped elegantly like a string of pearls across this resplendent design.



Project Information

Job Name: Canadalite.com Date: _____ Type: _____

Comments: 1 (888) 887-7038, info@canadalite.com