




☒ 33 West Beaver Creek Road Richmond Hill
 Ontario Canada L4B 1L8
 ☎ 800.660.5391
 ☎ 800.660.5390
 ✉ info@eurofase.com
 🌐 www.eurofase.com



TEMPEST , 9-LIGHT CHANDELIER

Product Specifications

Item No.: 17506-021
 Height: 34"
 Chain / Cord Length: 72"
 Diameter: 32"
 Est. Shipping Weight: 27.28 lbs
 No. of Bulbs: 9
 Bulb Wattage: 40 watts
 Bulb Type: B10 
 Bulb Base: E12
 Bulb Voltage: 120 volts

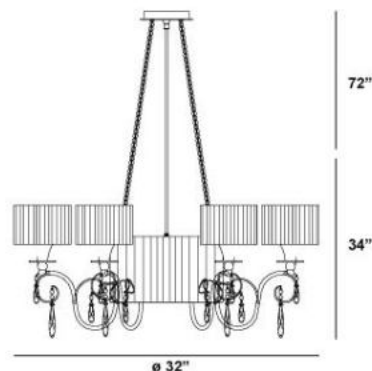
Options Available

ITEM CODE	FINISH	SHADE
17506-014	gold leaf	gold
17506-021	silver leaf	silver

Colour / Shades Available

FINISH	SHADE
gold leaf	 gold
silver leaf	 silver

Shimmering pleated shades perch atop curled arms, and a burnished vintage finish is complemented by a teardrop glass ornamentation. The finishing touch is matching beading, draped elegantly like a string of pearls across this resplendent design.



Project Information

Job Name: Canadalite.com Date: _____ Type: _____
 Comments: 1 (888) 887-7038, info@canadalite.com