




## STRADA , 2-LIGHT WALL SCNCE

### Product Specifications

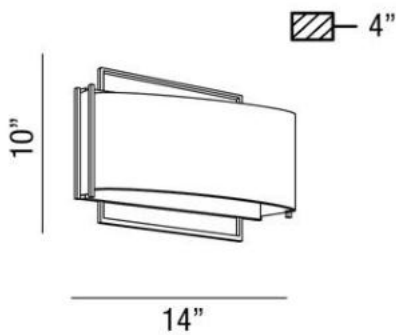
Collection:	Illuminations
Item No.:	25596-014
Height:	10"
Extension:	4"
Width:	14"
Est. Shipping Weight:	5.50 lbs
No. of Bulbs:	2
Bulb Wattage:	60 watts
Bulb Type:	B13 
Bulb Base:	E26
Bulb Voltage:	120 volts

### Options Available

ITEM CODE	FINISH	SHADE
25596-014	bronze	beige linen

### Colour / Shades Available

FINISH	SHADE
bronze	beige linen



### Project Information

Job Name: Canadalite.com Date: \_\_\_\_\_ Type: \_\_\_\_\_

Comments: \_\_\_\_\_