



✉ 33 West Beaver Creek Road Richmond Hill
Ontario Canada L4B 1L8

☎ 800.660.5391

☎ 800.660.5390

✉ info@eurofase.com

🌐 www.eurofase.com



SOLO , 4-LIGHT PENDANT

Product Specifications

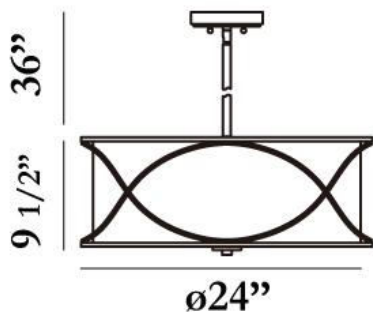
Item No.:	23073-012
Height:	9.5"
Chain / Cord Length:	36"
Diameter:	24"
Est. Shipping Weight:	11.66 lbs
No. of Bulbs:	4
Bulb Wattage:	60 watts
Bulb Type:	A19
Bulb Base:	E26
Bulb Voltage:	120 volts

Options Available

ITEM CODE	FINISH	SHADE
23073-012	brushed nickel	white

Colour / Shades Available

FINISH	SHADE
brushed nickel	white



Project Information

Job Name: Canadalite.com Date: _____ Type: _____

Comments: 534 Hood Road, Markham ON L3R 3K9 Email: info@canadalite.com