




✉ 33 West Beaver Creek Road Richmond Hill
 Ontario Canada L4B 1L8
 ☎ 800.660.5391
 ☎ 800.660.5390
 📧 info@eurofase.com
 🌐 www.eurofase.com



SOLO , 3-LIGHT PENDANT

Product Specifications

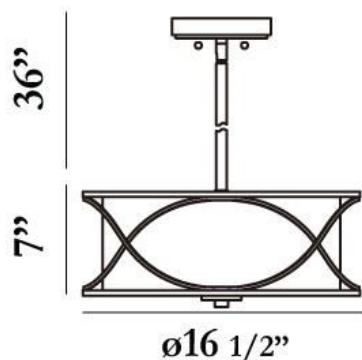
Item No.: 23072-015
 Height: 7"
 Chain / Cord Length: 36"
 Diameter: 16.5"
 Est. Shipping Weight: 9.24 lbs
 No. of Bulbs: 3
 Bulb Wattage: 60 watts
 Bulb Type: A19 
 Bulb Base: E26
 Bulb Voltage: 120 volts

Options Available

ITEM CODE	FINISH	SHADE
23072-015	brushed nickel	white

Colour / Shades Available

FINISH	SHADE
brushed nickel	 white



Project Information

Job Name: Canadalite.com Date: _____ Type: _____
 Comments: 534 Hood Road, Markham ON L3R 3K9 Email: info@canadalite.com