



✉ 33 West Beaver Creek Road Richmond Hill
 Ontario Canada L4B 1L8
 ☎ 800.660.5391
 ☎ 800.660.5390
 📧 info@eurofase.com
 🌐 www.eurofase.com



SOLO , 2-LIGHT WALL SCONCE

Product Specifications

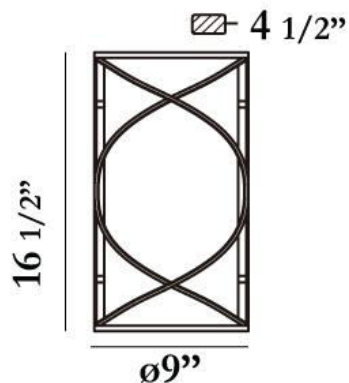
Item No.: 23070-011
 Height: 16.5"
 Extension: 4.5"
 Width: 9"
 Est. Shipping Weight: 6.80 lbs
 No. of Bulbs: 2
 Bulb Wattage: 60 watts
 Bulb Type: A19
 Bulb Base: E26
 Bulb Voltage: 120 volts

Options Available

ITEM CODE	FINISH	SHADE
23070-011	brushed nickel	white

Colour / Shades Available

FINISH	SHADE
brushed nickel	white



Project Information

Job Name: Canadalite.com Date: _____ Type: _____
 Comments: 534 Hood Road, Markham ON L3R 3K9 Email: info@canadalite.com