



✉ 33 West Beaver Creek Road Richmond Hill
 Ontario Canada L4B 1L8
 ☎ 800.660.5391
 ☎ 800.660.5390
 📧 info@eurofase.com
 🌐 www.eurofase.com



SICILY , 1-LIGHT WALL SCONCE

Product Specifications

Item No.: 7242-25
 Height: 11.75"
 Extension: 5"
 Width: 5.5"
 Length: 5.5"
 Est. Shipping Weight: 2.84 lbs
 No. of Bulbs: 1
 Bulb Wattage: 60 watts
 Bulb Type: A19
 Bulb Base: E26
 Bulb Voltage: 120 volts

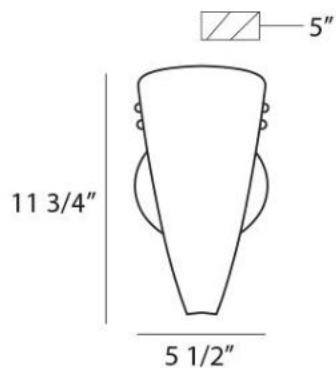
Options Available

ITEM CODE	FINISH	SHADE
7242-25	chrome	white

Colour / Shades Available

FINISH	SHADE
chrome	white

A softly folded opal white glass with a tapered contour. Essential modern.



Project Information

Job Name: Canadalite.com Date: _____ Type: _____
 Comments: 1 (888) 887-7038, info@canadalite.com