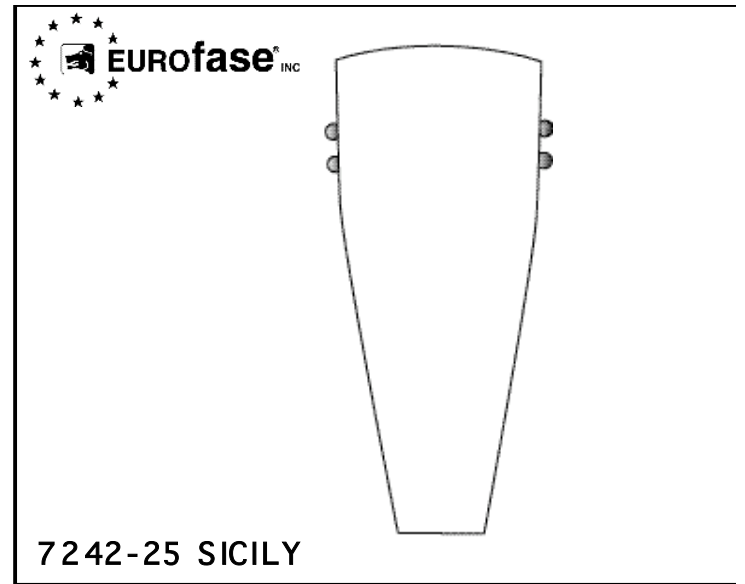


INSTALLATION & CONNECTIONS

1. Turn off power at main fuse box.
2. Insert screws into junction box crossbar ().
3. Attach crossbar () to wall octagon box.
4. Feed double wire and ground wire from fixture through down rod ().
5. Thread down rod into transformer () and fixture.
7. Connect ground wire to screw provided in junction box.
8. Connect one wire from fixture feed wire to black and white wire in junction box using wire connectors provided.
9. Push the ends of the connectors into opposite corners of the junction box.
10. If necessary, please attach the metal plate (G) to cover the junction box entirely.
11. Fix the wall bracket (F) on the metal plate and/or the cross bar by center nipple and nut (E) after wiring.
12. Place the halogen bulb (D) and the safe protection glass (C) on the socket then fix the hand blown glass (B) on the wall bracket properly by (4) four chrome beaded screws (A).

Tools Required • Outils Necessaire • Herramientas Requeridas



7242-25 SICILY

THANK YOU

You've just purchased a lighting product designed and built to provide you with many years of enjoyment.

MERCI

Vous venez d'acheter un luminaire conçu pour vous donner des années de plaisir.

GRACIAS

Usted acaba de adquirir un excelente producto de alumbrado diseñado y construido por

7242-25 SICILY WALL MOUNT

- Please read all instructions prior to installation.
- Installation of this fixture must comply with local building codes.
- Installation of this fixture should be done by a qualified electrician.
 - Veuillez lire toutes les instructions avant l'installation.
 - L'installation de ce luminaire doit être faite selon le code local de construction.
 - L'installation de ce luminaire devrait être faite par un électricien qualifié.
- Favor de leer toda las instrucciones antes de comenzar la instalación.
- La instalación de esta luminaria (este producto) deberá d



A-7242/040700

INSTALLATION ET CONNEXIONS

INSTALACION Y CONECCION ELECTRICA

