




✉ 33 West Beaver Creek Road Richmond Hill  
 Ontario Canada L4B 1L8  
 ☎ 800.660.5391  
 ☎ 800.660.5390  
 📧 info@eurofase.com  
 🌐 www.eurofase.com



## SENZE , 2-LIGHT WALL SCONCE

### Product Specifications

Item No.: 20317-010  
 Height: 20.5"  
 Extension: 6.5"  
 Width: 15"  
 Est. Shipping Weight: 9.37 lbs  
 No. of Bulbs: 2  
 Bulb Wattage: 60 watts  
 Bulb Type: B10   
 Bulb Base: E12  
 Bulb Voltage: 120 volts

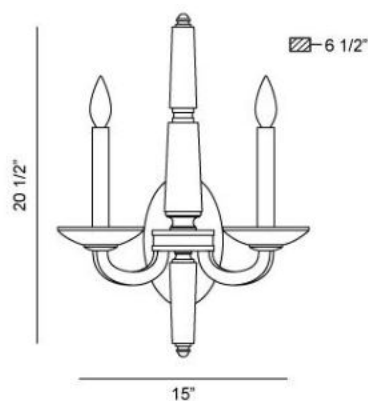
### Options Available

ITEM CODE	FINISH	SHADE
20317-010	chrome	clear crystal

### Colour / Shades Available

FINISH	SHADE
chrome	<input type="radio"/> clear crystal

Updated 19th century design continues with this collection of clean cut polished crystal and hand polished solid chrome finished body, all perfect for creating a timeless setting.



## Project Information

Job Name: Canadalite.com Date: \_\_\_\_\_ Type: \_\_\_\_\_  
 Comments: 1 (888) 887-7038, info@canadalite.com