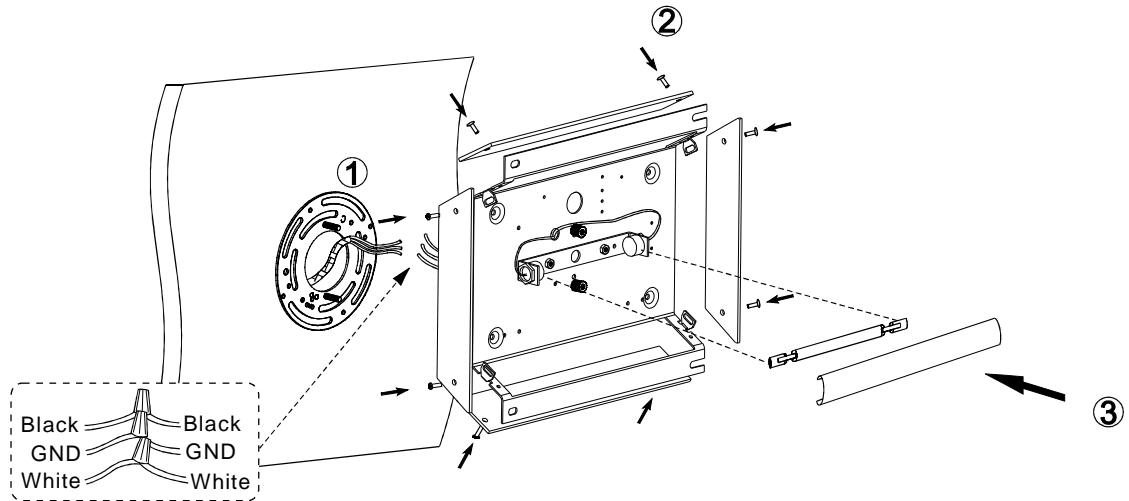


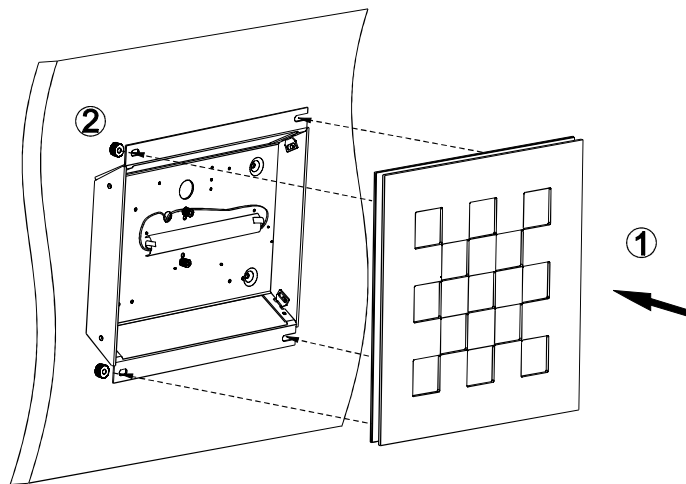
## INSTALLATION INSTRUCTION

- 1.The fixture is for J-TYPE 118mm,MAX 100W
- 2.Before installation, make sure that the power supply is off.
- 3.Follow the steps as shown below for installation or replacement of bulb.
- 4.After finishing every step, tighten the screws, have the fixture fixed, then connect the power supply.
- 5.It is recommended that these products are installed by a qualified electrician.

**A**



**B**



**C**

