




## 1LT PULL DOWN RECESSED, 50WMR16

### Product Specifications

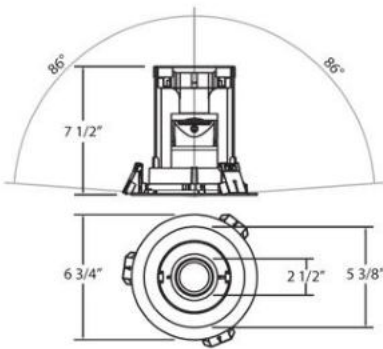
Collection:	Fundamentals
Item No.:	21815-010
Height:	7.5"
Diameter:	6.75"
Est. Shipping Weight:	4.03 lbs
No. of Bulbs:	1 Inc.
Bulb Wattage:	50 watts
Bulb Type:	MR16 
Bulb Base:	GU5.3
Bulb Voltage:	12 volts

### Options Available

ITEM CODE	FINISH	SHADE
21815-010	white	n/a

### Colour / Shades Available

FINISH	SHADE
white 	n/a



### Project Information

Job Name: Canadalite.com Date: \_\_\_\_\_ Type: \_\_\_\_\_  
 Comments: 1 (888) 887-7038, info@canadalite.com