



## 1LT PULL DOWN RECESSED, 70W MH

### Product Specifications

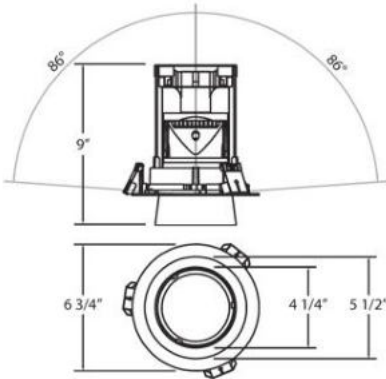
Collection:	Fundamentals
Item No.:	21812-019
Height:	9"
Diameter:	6.75"
Est. Shipping Weight:	7.02 lbs
No. of Bulbs:	1 Inc.
Bulb Wattage:	70 watts
Bulb Type:	MH
Bulb Base:	G12
Bulb Voltage:	120 volts

### Options Available

ITEM CODE	FINISH	SHADE
21812-019	white	n/a

### Colour / Shades Available

FINISH	SHADE
white	n/a



### Project Information

Job Name: Canadalite.com Date: \_\_\_\_\_ Type: \_\_\_\_\_  
 Comments: 1 (888) 887-7038, info@canadalite.com