




MARTINI , 1-LIGHT WALL SCONCE

Product Specifications

Collection:	Illuminations
Item No.:	19428-017
Height:	5.25"
Extension:	8"
Width:	5.5"
Length:	5.25"
Est. Shipping Weight:	2.20 lbs
No. of Bulbs:	1
Bulb Wattage:	60 watts
Bulb Type:	B10 
Bulb Base:	E12
Bulb Voltage:	120 volts

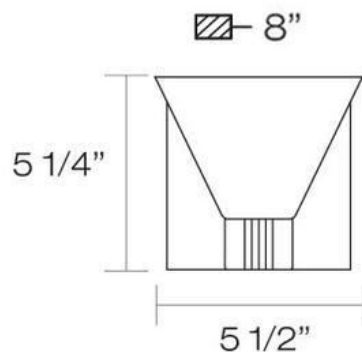
Options Available

ITEM CODE	FINISH	SHADE
19428-017	chrome	opal

Colour / Shades Available

FINISH	SHADE
chrome	 opal

Sophisticated shades are paired with a solid architectural frame. The downlighting provides a subdued and soothing ambiance for any setting. The Martini line is a svelte and mature look that suits all vogue tastes.



Project Information

Job Name: Canadalite.com Date: _____ Type: _____
 Comments: 1 (888) 887-7038, info@canadalite.com