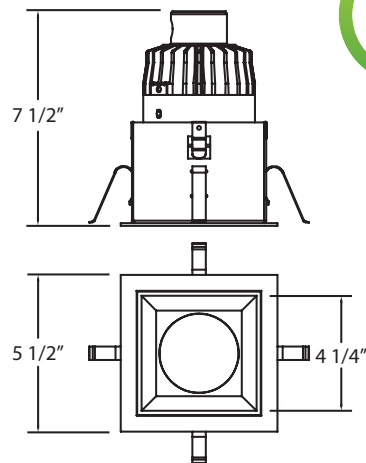


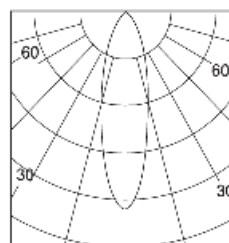


21970 - 5" SQUARE ARCHITECTURAL LED RECESSED



- DIMMABLE LED DRIVER INCLUDED
- RETROFIT NON-IC

24W LED

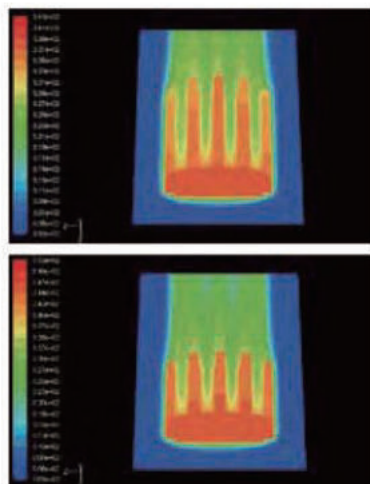


h(m)	D(m)	E(lx)
	25°	
1	0.486	1619
2	0.932	404
3	1.398	179
4	1.864	101
5	2.331	64

Model	Finishes	Lumen	LED Kelvin	LED Life	Current	Cut Hole Size	Beam Angle	CRI	Lamping
21970	-016 White	2000 (lm)	3000K	50,000 (h)	1400 (mA)	4 7/8" x 4 7/8"	25°	85+	24W BRIDGELUX LED

HEAT FLOW SIMULATION

Our comprehensive thermal analysis simulation ensures both efficient radiation and compact design



Simulierte Thermoanalyse



\* For new construction and insulated ceiling housing information, please consult factory.

