




✉ 33 West Beaver Creek Road Richmond Hill
 Ontario Canada L4B 1L8
 ☎ 800.660.5391
 ☎ 800.660.5390
 📧 info@eurofase.com
 🌐 www.eurofase.com



DAKOTA , 1-LIGHT WALL SCONCE

Product Specifications

Item No.: SC-1DAK-05
 Height: 4.75"
 Extension: 2.75"
 Width: 6.13"
 Est. Shipping Weight: 1.51 lbs
 No. of Bulbs: 1 Inc.
 Bulb Wattage: 60 watts
 Bulb Type: G9 
 Bulb Base: G9
 Bulb Voltage: 120 volts

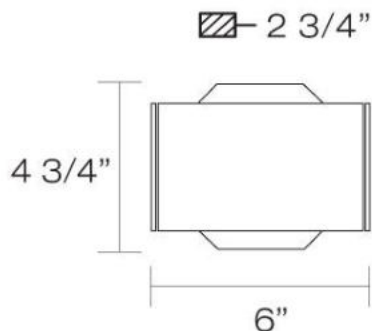
Options Available

ITEM CODE	FINISH	SHADE
SC-1DAK-2N	satin nickel	white marble glass
SC-1DAK-05	chrome	white marble glass

Colour / Shades Available

FINISH	SHADE
satin nickel	white marble glass
chrome	white marble glass

The perfect vanity accent, the Dakota line is a masterfully crafted design. A tranquil frosted glass is held in place gently with slim chrome clips. A triangulated backdrop raises the shade slightly to allow light to spill serenely into any setting.



Project Information

Job Name: Canadalite.com Date: _____ Type: _____
 Comments: 1 (888) 887-7038, info@canadalite.com