



✉ 33 West Beaver Creek Road Richmond Hill
 Ontario Canada L4B 1L8
 ☎ 800.660.5391
 📠 800.660.5390
 📧 info@eurofase.com
 🌐 www.eurofase.com



CRONOS , LED WALL SCONCE

Product Specifications

Collection: Illuminations
 Item No.: 20403-010
 Height: 11"
 Extension: 3.5"
 Length: 4.75"
 Est. Shipping Weight: 5.06 lbs
 No. of Bulbs: 6 Inc.
 Bulb Wattage: 1 watts
 Bulb Type: LED ^{3.0}
 Bulb Base: LED
 Bulb Voltage: 120 volts

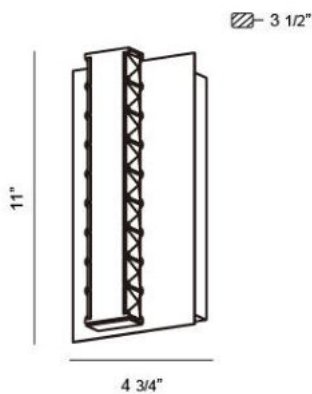
Options Available

ITEM CODE	FINISH	SHADE
20403-010	chrome	clear crystal

Colour / Shades Available

FINISH	SHADE
chrome	<input type="radio"/> clear crystal

Sleek, modern and clean architectural designs infused with old world crystal and powered by cutting edge LED lighting give this collection us in every design space.



Project Information

Job Name: Canadalite.com Date: _____ Type: _____
 Comments: 534 Hood Road, Markham ON L3R 3K9 Email: info@canadalite.com

