



✉ 33 West Beaver Creek Road Richmond Hill
Ontario Canada L4B 1L8

☎ 800.660.5391

☎ 800.660.5390


✉ info@eurofase.com

🌐 www.eurofase.com



BEAUCHAMP , 9-LIGHT CHANDELIER

Product Specifications

Item No.: 19336-015
 Height: 33.5"
 Chain / Cord Length: 180"
 Diameter: 30.5"
 Est. Shipping Weight: 32.34 lbs
 No. of Bulbs: 9
 Bulb Wattage: 60 watts
 Bulb Type: B10 
 Bulb Base: E12
 Bulb Voltage: 120 volts

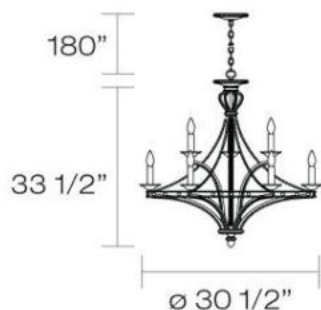
Options Available

ITEM CODE	FINISH	SHADE
19336-015	nickel	clear glass

Colour / Shades Available

FINISH	SHADE
nickel	 clear glass

Regally impressive, this luxurious showpiece stops short at nothing in its intricate detailing and stunningly handcrafted artisanship. Crystal beads are draped elegantly towards the arms and encircle the silver chandelier double-frame base. Faux candles are firmly set in glossed chrome bases that reflect their resplendent lighting. The collective effect of the miniature detailing and the crowned curves makes this family truly magnificent.



Project Information

Job Name: Canadalite.com Date: _____ Type: _____

Comments: 1 (888) 887-7038, info@canadalite.com