




## AMATA , 2-LIGHT LARGE FLUSHMOUNT/WALL SCNCE

### Product Specifications

|                       |   |
|-----------------------|---|
| Collection:           | Illuminations   |
| Item No.:             | 16620-048   |
| Height:               | 4"  |
| Length:               | 11.75"  |
| Est. Shipping Weight: | 6.14 lbs  |
| No. of Bulbs:         | 2   |
| Bulb Wattage:         | 60 watts  |
| Bulb Type:            | A19  |
| Bulb Base:            | E26   |
| Bulb Voltage:         | 120 volts   |

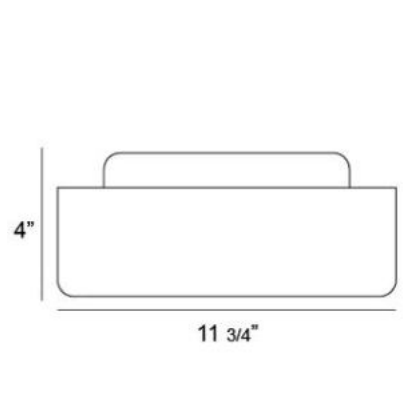
### Options Available

| ITEM CODE | FINISH | SHADE            |
|-----------|--------|------------------|
| 16620-048 | white  | opal white glass |

### Colour / Shades Available

|               |  |
|---------------|--|
| <b>FINISH</b> | <b>SHADE</b>   |
| white         |  opal white glass |

Explicitly simple and lucid, this light is fitting for any setting - classic, modern or trendy. It is clean cut and its pearl ivory glow is unmatched in elegance and quality.



### Project Information

Job Name: Canadalite.com Date: \_\_\_\_\_ Type: \_\_\_\_\_  
 Comments: 534 Hood Road, Markham ON L3R 3K9 Email: info@canadalite.com