



✉ 33 West Beaver Creek Road Richmond Hill
Ontario Canada L4B 1L8

☎ 800.660.5391

☎ 800.660.5390

✉ info@eurofase.com

🌐 www.eurofase.com



AMANO , 9-LIGHT CHANDELIER

Product Specifications

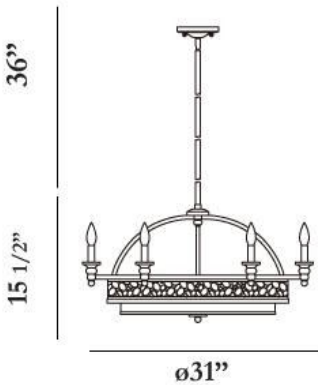
Item No.:	23095-014
Height:	15.5"
Chain / Cord Length:	36"
Diameter:	31"
Est. Shipping Weight:	36.92 lbs
No. of Bulbs:	9
Bulb Wattage:	60 watts
Bulb Type:	B10/A19
Bulb Base:	E12/E26
Bulb Voltage:	120 volts

Options Available

ITEM CODE	FINISH	SHADE
23095-014	silver	silver

Colour / Shades Available

FINISH	SHADE
silver	 silver



Project Information

Job Name: Canadalite.com Date: _____ Type: _____

Comments: 1 (888) 887-7038, info@canadalite.com