




✉ 33 West Beaver Creek Road Richmond Hill
Ontario Canada L4B 1L8
☎ 800.660.5391
☎ 800.660.5390
✉ info@eurofase.com
🌐 www.eurofase.com



AMANO , 3-LIGHT PENDANT

Product Specifications

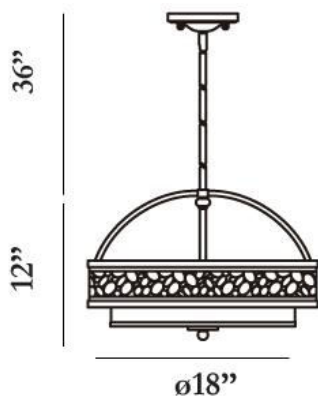
Item No.: 23094-017
Height: 12"
Chain / Cord Length: 36"
Diameter: 18"
Est. Shipping Weight: 20.55 lbs
No. of Bulbs: 3
Bulb Wattage: 60 watts
Bulb Type: A19 
Bulb Base: E26
Bulb Voltage: 120 volts

Options Available

| ITEM CODE | FINISH | SHADE |
|-----------|--------|--------|
| 23094-017 | silver | silver |

Colour / Shades Available

| FINISH | SHADE |
|--------|--|
| silver |  silver |



Project Information

Job Name: Canadalite.com Date: _____ Type: _____
Comments: 1 (888) 887-7038, info@canadalite.com