

DESCRIPTION

The EEL Gymnasium LED Luminaire is an economical luminaire using the latest LED technology. With several lumen packages, the Gym Lume offers exceptional lighting which saves energy without straining your project budget or sacrificing your light output.

SPECIFICATION FEATURES

Construction

Die formed 22 gauge galvanized steel painted high gloss white. Flat pattern K12 lens and screw in wire guard ensures superior visual effects and protection

Finish

22 gauge galvanized steel and high gloss enamel paint finish ensures maximum bonding and rust inhibition

Controls

The LED Gymnasium is powered by Ultrasave Drivers and Modules

Reflectors

High efficient 98% reflectivity specular reflectors

Electrical

A variety of lumen options available in 120/277 and 347V. Rated for 94,000 hours

Shielding

K12 Lens .095

Driver and Module Access

Drivers are accessible by removing the lens / wire guard and reflector plate

Compliance

Drivers and Modules are UL recognized components and indoor luminaires are cULus listed

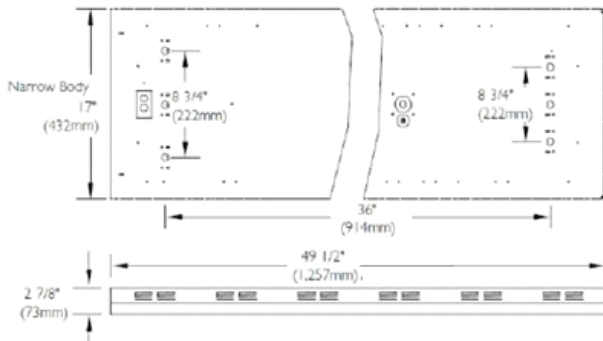
Warranty

5 years



**LED
GYMNASIUM
LUMINAIRE**

powered by
ULTRASAVE





GL80LED08 / GL16LED16

Dimension

mm | 1257(L) x 432(W) x 73(H)

inch | 49.5\"(L) x 17.0\"(W) x 2.9\"(H)

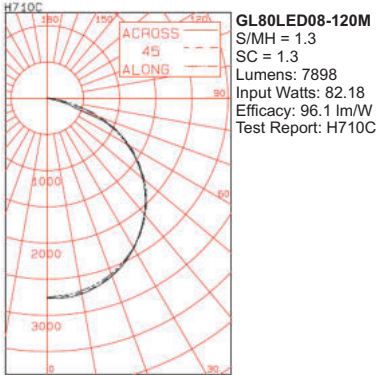
ORDERING CODE, ENERGY AND PERFORMANCE DATA

Model No.	Delivered Lumens (lm)	Input Watts (W)	Voltage (V)	Colour Temp. (K)	Efficacy (lm/W)	Status
 GL16LED16	17600	166	120M / 347	4000K	106	Stock
	17600	166	120M / 347	3500K / 5000K	99 / 110	MTO
	16540	158	120M / 347	3500K / 4000K / 5000K	99 / 105 / 110	MTO
	13740	130	120M / 347	3500K / 4000K / 5000K	100 / 106 / 111	MTO
 GL80LED08	8830	83	120M / 347	4000K	106	Stock
	8830	83	120M / 347	3500K / 5000K	99 / 110	MTO
	8270	79	120M / 347	3500K / 4000K / 5000K	99 / 105 / 110	MTO
	6870	65	120M / 347	3500K / 4000K / 5000K	110 / 106 / 111	MTO

OPTIONAL ACCESSORIES
Dimming Drivers (D) 120M/347V

SHIPPING DATA
Model No.
 GL16LED16 **Weight** 12.7kg / 28lbs
 GL80LED08 9.3kg / 20.5lbs

PHOTOMETRICS

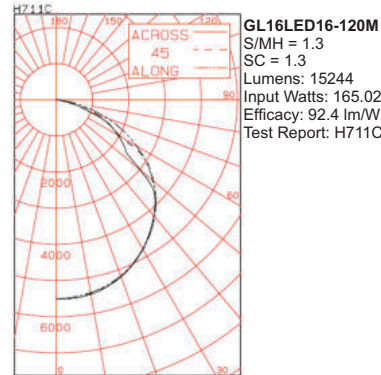


Candlepower

ANGLE ALONG	22.5	45	67.5	ACROSS
0	2756	2756	2756	2756
5	2733	2746	2746	2767
15	2653	2675	2676	2690
25	2491	2510	2509	2516
35	2252	2263	2256	2248
45	1939	1940	1931	1922
55	1524	1530	1540	1516
65	1018	1032	1060	1058
75	479	498	340	281
85	60	23	22	23

Zonal Lumen Summary

ZONE	LUMENS	% LAMP	% LUMINAIRE
0-30	2174	27.53	27.53
0-40	3581	45.35	45.35
0-60	6429	81.41	81.41
0-90	7898	100.00	100.00
40-90	4316	54.65	54.65
60-90	1468	18.59	18.59
90-180	0	.00	.00
0-180	7898	100.00	100.00



Candlepower

ANGLE ALONG	22.5	45	67.5	ACROSS
0	5502	5502	5502	5502
5	5480	5472	5484	5509
15	5324	5331	5340	5358
25	4999	5004	5009	5012
35	4511	4517	4512	4492
45	3887	3883	3868	3850
55	3034	3065	3080	2328
65	2039	2061	1619	1622
75	962	791	659	597
85	114	79	78	93

Zonal Lumen Summary

ZONE	LUMENS	% LAMP	% LUMINAIRE
0-30	4339	28.47	28.47
0-40	7154	46.93	46.93
0-60	12616	82.76	82.76
0-90	15244	100.00	100.00
40-90	8089	53.07	53.07
60-90	2627	17.23	17.23
90-180	0	.00	.00
0-180	15244	100.00	100.00

Coefficient of Utilization
Effective floor cavity reflectance = 20%

CC WALL	80	70	50	30	10	0
0	1.191	1.191	1.191	1.161	1.111	1.061
1	1.101	1.061	1.02	0.99	1.081	1.041
2	1.01	0.94	0.88	0.83	0.99	0.92
3	0.93	0.83	0.76	0.70	0.91	0.82
4	0.86	0.75	0.66	0.60	0.84	0.73
5	0.79	0.67	0.58	0.52	0.76	0.65
6	0.72	0.59	0.51	0.45	0.70	0.58
7	0.66	0.53	0.45	0.39	0.65	0.52
8	0.61	0.48	0.40	0.34	0.60	0.47
9	0.57	0.44	0.35	0.30	0.55	0.43
10	0.53	0.40	0.32	0.26	0.52	0.39

Coefficient of Utilization
Effective floor cavity reflectance = 20%

CC WALL	80	70	50	30	10	0
0	1.191	1.191	1.191	1.161	1.111	1.061
1	1.101	1.061	1.02	0.99	1.081	1.041
2	1.02	0.95	0.89	0.83	0.99	0.93
3	0.93	0.84	0.77	0.71	0.91	0.82
4	0.86	0.75	0.67	0.61	0.84	0.74
5	0.79	0.67	0.59	0.53	0.77	0.66
6	0.73	0.60	0.52	0.46	0.71	0.59
7	0.67	0.54	0.46	0.40	0.66	0.53
8	0.62	0.49	0.41	0.35	0.61	0.48
9	0.58	0.45	0.36	0.31	0.56	0.44
10	0.53	0.40	0.32	0.27	0.52	0.39



Energy Efficient Lighting Company Limited
 331 Amber Street, Unit B, Markham, ON L3R 3J7 Canada
 Tel: 905-415-8878 • 1-855-415-8878 | Fax: 905-415-8872 • 1-855-415-8872
 Email: marketing@eelighting.ca | URL: www.eelighting.ca

Specifications and dimensions subject to change without notice.
 Consult your Energy Efficient Lighting Representative
 for availability and ordering information.