

Residential Decorator Dimmers



**Easy to install
Decorator Dimmers
create ambiance
and save energy.**

Decorator Dimmers

Application

Catalog Numbers Series DI06P/DI10P/DE06P decorator dimmers provide a smooth, slide action full range dimming for Incandescent, Magnetic Low Voltage and Electronic Low Voltage lighting. In addition, a 1.5A quiet 3-speed fan control is included in the product series. This line offers combined single-pole (single location) and 3-way (multi-location) units for 600W or 1000W lamp loads. All decorator dimmers are compatible with any Cooper Wiring Devices decorator-style switches, wallplates or designer screwless wallplates.

Application Locations:

- Home theaters
- Dining rooms
- Stairways
- Bedrooms
- Home offices
- Outside patios
- Porches
- Kitchens
- Foyers
- Living Rooms

Features & Benefits

- Preset feature allows user to return to previous light setting when turning lights on.
- Integrated linear slide control for easy, precise operation.
- Replaces a standard switch and offers dimmer capabilities.
- All units are available in combined single-pole / 3-way versions.
- Quiet Fan Speed Control version has special circuitry to reduce fan motor noise at low speeds.
- Slim, compact housing fits easily into a standard wallbox and is suitable for multi-gang installations.
- Incandescent and Magnetic Low Voltage offered in single unit version.
- Power-failure memory.
- Electrostatic discharge protection.
- Ground terminal meets 1999 NEC© requirement to ground dimmer.
- Radio Frequency Interference (RFI) filtering is standard on all models.
- Square law dimming – perceived dimming level is proportional to the slider position.
- cULus listed; NOM/ANCE listed.
- Colors: Gloss Almond, Brown (INC/MLV version only), Black (INC/MLV version only), Ivory, Light Almond and White.
- High-gloss finish complements any decor

Project Name:	Project Number:
Prepared By:	Date:



Decorator Dimmers

Residential Decorator Dimmers

Specifications

Electrical Ratings

- RFI suppression
- Internal MOV for surge protection
- Electrostatic discharge tested
- Maximum dimmer wattage: 600W or 1000W
- Minimum dimmer wattage: 60W ELV, 0W INC/MLV
- Maximum fan speed control amperage of 1.5A
- Captive linear slide
- Square law dimming
- Power failure memory

Mechanical Specifications

- Back and side wire terminations
- Fits any standard decorator or designer screwless wallplate
- Precised color matching

Standards Compliance:

- Listed UL1472 (File No. E47967)
- NOM certified



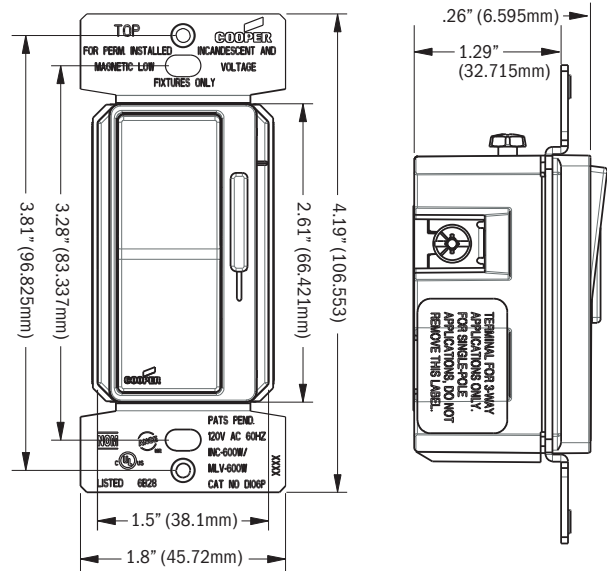
Material Characteristics:

- Meets flammability requirements per UL 94, V2 rated.
- Temperature Rating: 0°C (32°F) to 40°C (104°F)

Warranty:

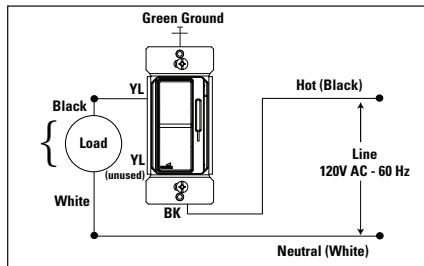
- 2-year limited warranty

Dimensions

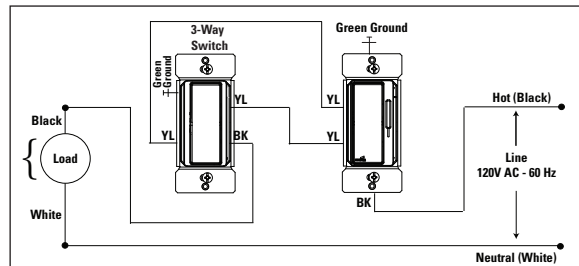


Installation & Wiring

For Single Pole Applications



For 3-Way Applications



De-rating Chart

	600W MODELS			1000W MODELS		
	1-Gang	2-Gang	3-Gang	No Sides Removed	1 Side Removed	2 Sides Removed
INC	600W Max	500W Max	500W Max	1000W Max	800W Max	650W Max
MLV	600VA Max	500VA Max	500VA Max	1000VA Max	800VA Max	650VA Max
ELV	600VA Max	600VA Max	600VA Max	-	-	-

Decorator Dimmer Ordering Information

Rating	Description	Colors	Catalog No.
600W/VA Incandescent/Magnetic Low Voltage	Preset Dimmer (Single Pole and 3-Way)	A, BR, B, LA, V, W	DI06P
1000W/VA Incandescent/Magnetic Low Voltage	Preset Dimmer (Single Pole and 3-Way)	A, BR, B, LA, V, W	DI10P
600W/VA Electronic Low Voltage	Preset Dimmer (Single Pole and 3-Way)	A, LA, V, W	DE06P
1.5A Quiet 3-Speed	Fan Speed Control (Single Pole and 3-Way)	A, LA, V, W	DFS15P

Add the following suffix for colors: A- Almond, BR - Brown, BK - Black, LA - Light Almond, V - Ivory, W - White

Project Name:	Project Number:
Prepared By:	Date:

9-DDSPECS-07
© 2007, Cooper Wiring Devices

