

# 1-Pole Arc-Fault Circuit Interrupters

## Plug-in and Bolt-on

### FEATURES

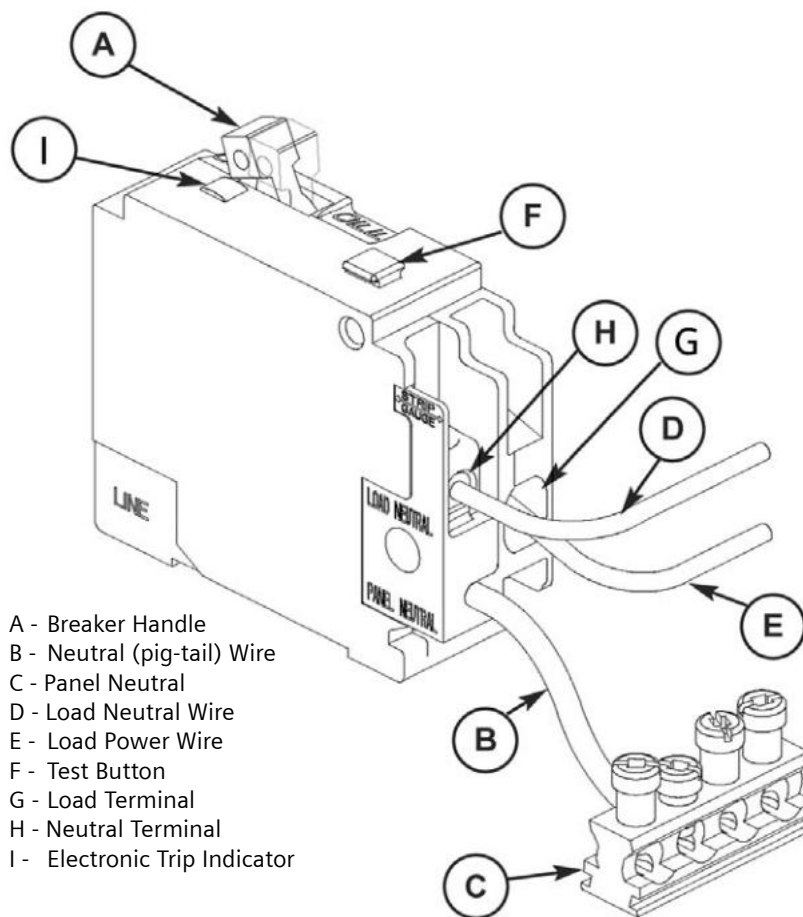
- Plug-in or bolt-on branch circuit breakers for Siemens single phase load centers
- Electronic trip indicator – a Siemens exclusive!
- Available with interrupting rating of 10kA or 22kA
- UL Listed
- CSA Certified
- Ratings:  
HACR  
SWD
- 120 Volts AC
- Wire range:  
#14 – #8 AWG Cu  
#12 – #8 AWG Al
- Torque Rating: 25 lb. in.
- Padlocking device available, use catalog number PLD1

### 1-Pole Plug-in Arc-Fault Circuit Interrupters

Catalog Number	Ampere Rating	Interrupting Rating	UL Type
<b>Q115AF</b>	15	10kA	QAF
<b>Q120AF</b>	20	10kA	QAF
<b>Q115AFH</b>	15	22kA	QAFH
<b>Q120AFH</b>	20	22kA	QAFH

### 1-Pole Bolt-on Arc-Fault Circuit Interrupters

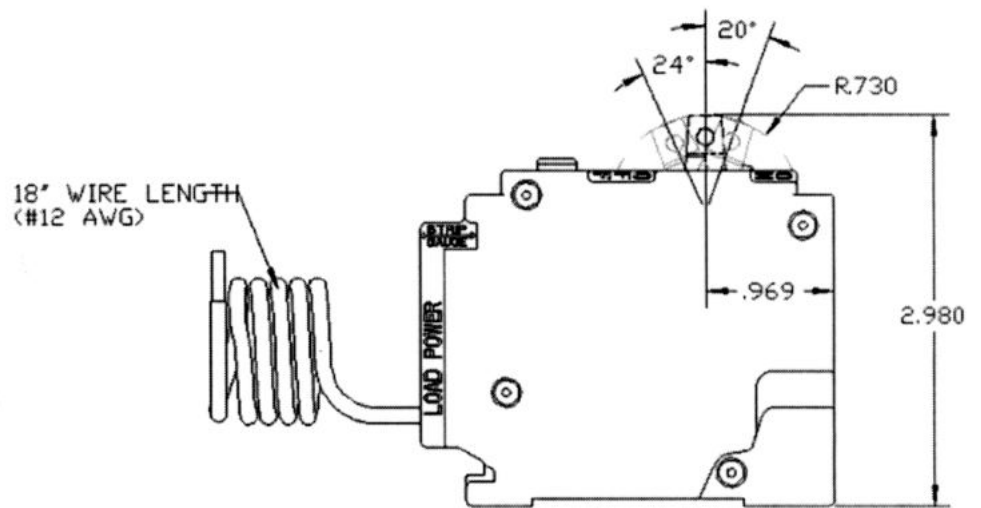
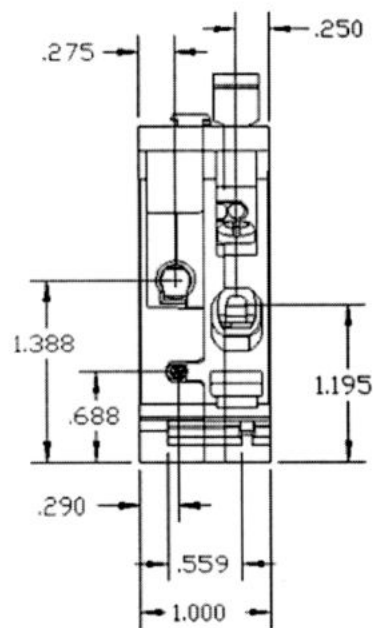
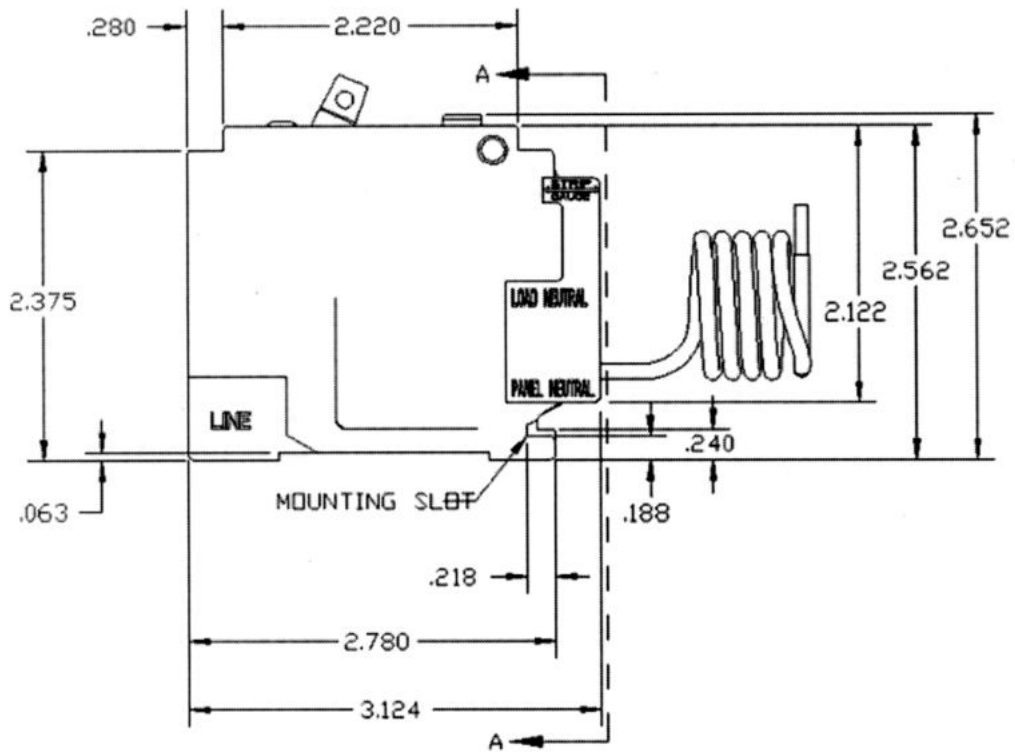
Catalog Number	Ampere Rating	Interrupting Rating	UL Type
<b>B115AF</b>	15	10kA	BAF
<b>B120AF</b>	20	10kA	BAF
<b>B115AFH</b>	15	22kA	BAFH
<b>B120AFH</b>	20	22kA	BAFH



**fastfax**

**SIEMENS**

# 1-Pole Arc-Fault Circuit Interrupters Plug-in and Bolt-on



# 1-Pole Arc-Fault Circuit Interrupters

## Plug-in and Bolt-on

### QAF, BAF, QAFH and BAFH Series Rarings

#### 120/240 Volt, Two Breaker Series

Branch Breaker			Main Breaker or Fuse			Interrupting Rating		RMS Symm.
Type	Amps	No. of Poles	Type	Amps	No. of Poles	Amps	Volts	Ø
QAF, BAF	15-20	1	QPH, BQH, BLH	15-70	1	22,000	120	1
QAF, BAF	15-20	1	QPH, BQH, BLH	15-125	2	22,000	120	1
QAF, BAF	15-20	1	QPH, BQH, BLH	15-100	3	22,000	120	1
QAF, BAF	15-20	1	EQ868#	100	2	22,000	120	1
QAF, BAF	15-20	1	EQ967#	100-125	2	22,000	120	1
QAF, BAF	15-20	1	QNN, QNRH	150-200	2	22,000	120	1
QAF, BAF	15-20	1	EQ869#	150-225	2	22,000	120	1
QAF, BAF	15-20	1	QPPH	125-225	2	22,000	120	1
QAF, BAF	15-20	1	EQ949#	125-225	2	22,000	120	1
QAF, BAF	15-20	1	QPMH	150-200	2	22,000	120	1
QAF, BAF	15-20	1	QJH2	60-225	2, 3	22,000	120	1
QAF, BAF	15-20	1	HQP, HBQ, HBL	15-70	1	65,000	120	1
QAF, BAF	15-20	1	HQP, HBQ, HBL	15-125	2	65,000	120	1
QAF, BAF	15-20	1	HQP, HBQ, HBL	15-100	3	65,000	120	1
QAFH, BAFH	15-20	1	HQP, HBQ, HBL	15-70	1	65,000	120	1
QAFH, BAFH	15-20	1	HQP, HBQ, HBL	15-125	2	65,000	120	1
QAFH, BAFH	15-20	1	HQP, HBQ, HBL	15-100	3	65,000	120	1
QAF, BAF	15-20	1	HQN, HQNR	150-200	2	65,000	120	1
QAFH, BAFH	15-20	1	HQN, HQNR	150-200	2	65,000	120	1
QAF, BAF	15-20	1	HQPP	125-225	2	65,000	120	1
QAFH, BAFH	15-20	1	HQPP	125-225	2	65,000	120	1
QAF, BAF	15-20	1	EQ958#	125-225	2	65,000	120	1
QAFH, BAFH	15-20	1	EQ958#	125-225	2	65,000	120	1
QAF, BAF	15-20	1	EQ978#	125-225	2	65,000	120	1
QAFH, BAFH	15-20	1	EQ978#	125-225	2	65,000	120	1
QAF, BAF	15-20	1	ED4	15-100	1	65,000	120	1
QAF, BAF	15-20	1	ED4, ED6	15-125	2, 3	65,000	120	1
QAFH, BAFH	15-20	1	ED4	15-100	1	65,000	120	1
QAFH, BAFH	15-20	1	ED4, ED6	15-125	2, 3	65,000	120	1
QAF, BAF	15-20	1	HED4, HED6	15-125	2, 3	100,000	120	1
QAFH, BAFH	15-20	1	HED4, HED6	15-125	2, 3	100,000	240	1
QAF, BAF	15-20	1	HQPPH	125-225	2	100,000	120	1
QAFH, BAFH	15-20	1	HQPPH	125-225	2	100,000	120	1
QAF, BAF	15-20	1	EQ988#	125-225	2, 3	100,000	120	1
QAFH, BAFH	15-20	1	EQ988#	125-225	2	100,000	120	1
QAF, BAF	15-20	1	HQJ2H	60-225	2, 3	100,000	120	1
QAFH, BAFH	15-20	1	HQJ2H	60-225	2, 3	100,000	120	1
QAF, BAF	15-20	1	HFD6, HFXD6	70-250	2, 3	100,000	120	1
QAFH, BAFH	15-20	1	HFD6, HFXD6	70-250	2, 3	100,000	120	1
QAF, BAF	15-20	1	CED6	15-125	2, 3	200,000	120	1
QAFH, BAFH	15-20	1	CED6	50-125	2, 3	200,000	120	1
QAF, BAF	15-20	1	CED6	70-250	2, 3	200,000	120	1
QAFH, BAFH	15-20	1	CED6	70-250	2, 3	200,000	120	1
QAF, BAF	15-20	1	T (300V)	15-200	1, 2, 3	100,000	120	1
QAFH, BAFH	15-20	1	T (300V)	15-200	1, 2, 3	100,000	120	1

For 120/240V, 3 and 4 breaker series information, please contact your local sales representative.  
 Note: Series ratings are only valid if rating is marked on load center.

# 1-Pole Arc-Fault Circuit Interrupters Plug-in and Bolt-on

