

Remotes



SECTION SEVEN



REMOTES

Remotes

METAL



AR PAR36 - Aluminum Remote Series	
Incandescent lamps: 9W - 70W	Page
Ceiling & wall installed product Specification: Indoor	136



BTMR MR16 - Metal Remote Series	
MR16 Lamps: 10W - 50W	Page
Ceiling & wall installed product Specification: Indoor	136



GR PAR36 Metal Surface/ Recessed Remote Series	
Incandescent lamps: 9W - 70W	Page
Recessed or surface installed product Specification: Indoor	137



RMR Recessed MR16 Remote Series	
MR16 lamps: 10W - 50W	Page
Recessed installed product Specification: Indoor	137



GRR Series Self-Powered Recessed Remote	
Incandescent lamps: 8W - 25W	Page
Recessed Ceiling installed product Specification: Indoor	138

THERMOPLASTIC



LR PAR36 - Thermoplastic Remote Series	
Incandescent lamps: 9W - 70W	Page
Ceiling & wall installed product Specification: Indoor	139



SR PAR18 - Thermoplastic Remote Series	
Incandescent lamps: 9W - 20W	Page
Ceiling & wall installed product Specification: Indoor	139

VANDAL



RLA - Ecco Luna Remote Series	
Quartz lamps: 5W - 12W	Page
Surface ceiling or wall installed product Specification: Indoor	140



VR Vandal Resistant Remote Series	
Incandescent lamps: 9W - 20W	Page
Ceiling or wall installed product Specification: Indoor	141

WET



RLAW - IP65 Luna Remote Series	
Quartz lamps: 5W - 12W	Page
Surface ceiling or wall installed product Specification: IP65	142



TA-RMT Tempesta™ IP65 Remote Series	
Fluorescent biax lamp: 24W	Page
Surface/recessed - ceiling or wall installed product, Specification: IP65	143



WR NEMA 4 & 4X Remote Series	
Incandescent lamps: 9W - 20W	Page
Ceiling & wall installed product Specification: NEMA 4X	143



AR - PAR36 ALUMINUM EMERGENCY REMOTE

The AR series of spun aluminum remotes are supplied standard in an attractive brushed aluminum finish with a black thermoplastic canopy. Custom colours available, please specify. The AR series is ideal for industrial environments and installations where the fixture will be exposed to constant excessive temperatures or UV exposure.

LAMP SELECTION:

	6V	12V	24V
Composite Tungsten	7.2, 9W	9, 18W	9, 18, 24W
Composite Quartz (Q)	8, 10, 12, 20W	6, 8, 12, 20, 35, 55W	20, 70W
Sealed Beam Tungsten (SB)	8, 9, 12, 18, 25W	8, 12, 18, 25W	N/A
Sealed Beam Quartz (QSB)	12, 20W	8W	N/A

ORDERING INFORMATION

Series	Head #	Voltage / Wattage	Options
AR	1 (Single head)	See lamp selection	LC (Less canopy)
	2 (Double head)		CC (Custom colour - specify)
	3 (Triple head)		SB (Sealed beam) *TC (Teflon® coated lens)

*NOTE: Teflon® is a registered trademark of DuPont™



BTMR MR16 SURFACE EMERGENCY REMOTE

The BTMR series is an all metal emergency lighting remote that features a powerful MR16 lamp. The advanced rotary collar design locks the lamp and internal fixture parts into place while allowing for simple lamp replacement Rotary collar system. Friction-lock fully adjustable swivel - no tools needed to aim lamp!

LAMP SELECTION:

	6V	12V	24V
MR16 (BTMR)	N/A	10, 12, 20, 35, 50W	20, 35, 50W

ORDERING INFORMATION

Series	Voltage / Wattage	Options
BTMR1 (Single head)	See lamp selection	BLK (Black remote and canopy)
BTMR2 (Double head)		WH (White remote and canopy)
BTMR3 (Triple head)		



GR - PAR36 RECESSED EMERGENCY REMOTE

The GR series of remotes are designed to be recess mounted into ceilings; providing a clean, unobtrusive lighting solution. A surface mounted version, complete with a steel mounting box is also available. The gimbal mounting allows the lamp aiming to be adjusted in any direction. The GR is supplied standard in a white finish. Custom colour finishes are available, please specify.

LAMP SELECTION:

	6V	12V	24V	120V
Composite Tungsten	9, 12W	9, 12, 18W	9, 18, 25W	30, 50W
Composite Quartz (Q)	12, 20W	8, 12, 20, 35, 55W	12, 20, 70W	N/A
Sealed Beam Tungsten (SB)	8, 9, 12, 18, 20, 25W	12, 18, 25, 20, 35, 50W	N/A	N/A
Sealed Beam Quartz (QSB)	8, 12, 20W	8, 12, 20W	N/A	N/A

ORDERING INFORMATION

Series	Head #	Voltage / Wattage	Options
GR	R (Recessed)	See lamp selection	CC (Custom colour - specify)
	S (Surface)		SB (Sealed beam)
			*TC (Teflon® coated lens)

*NOTE: Teflon® is a registered trademark of DuPont™



RMR - MR16 RECESSED EMERGENCY REMOTE

The RMR series of remotes feature MR16 lamp technology that are designed for superior light output. The compact, recessed design has a modern look that blends perfectly in today's retail and commercial environments. The steel gimbal lamp mounting assembly and trimplate makes lamp positioning quick and easy. The RMR series is supplied standard in a white finish.

LAMP SELECTION:

	6V	12V	24V
MR16 (BTMR)	N/A	10, 12, 20, 35, 50W	20, 35, 50W

ORDERING INFORMATION

Series	Mounting Assembly Type	Voltage / Wattage	Optional Colour
RMR	TRF (Gimbal)	See lamp selection	RMR - BK (Black), AB (Antique brass), BN (Brushed nickel), BB (Brushed brass)
	TRR (Tilting)		TRR - BK (Black), BN (Brushed nickel)
	TMR (Retractable)		TMR - BK (Black), BN (Brushed nickel), PB (Polished brass), CH (Chrome)



PRODUCT OVERVIEW

The GRR series emergency luminaire has been designed to be fully recessed and blend in with the surrounding environment. The housing and gimbal assembly use corrosion and flame resistant lightweight aluminum. All GRR electronics are fully self-contained within the housing; this allows for easy handling and effortless installation. The standard trim plate comes finished in powder coat white.

ORDERING INFORMATION

Series	Lamps
GRRSP6-36	6V - 8WQ, 9W, 12WQ, 18W, 20WQ, 25W
	6V SEALED BEAM - 8WQ, 9W, 12WQ, 12W, 18W, 20WQ, 25W

MECHANICAL SPECIFICATIONS

The GRR is constructed with corrosion and flame resistant lightweight aluminum. The gimbal assembly allows for proper beam positioning. All electronics are fully self-contained allowing easy handling and installation. The GRR comes standard with a single 8WQ halogen lamp. The trim plate is finished in durable powder coat white. External test switch and monitor LED are standard.

LAMP HEAD FEATURES

The GRR series is supplied with one [1] 8 watt bi-pin halogen lamp. The fully recessed design of the GRR uses an adjustable gimbal for correct and accurate beam positioning.

BATTERY TECHNOLOGY

The GRR series is designed with a 6V 5Ah maintenance free, sealed valve regulated lead acid battery that provides a minimum emergency duration of 30 minutes (for the listed rating). Recharge time of the battery is twenty-four [24] hours. The maximum working temperature is 50°C.

INTERNAL SPECIFICATIONS

The GRR series is configured with universal 120/347VAC input with solid state charging circuitry. Standard features include low voltage disconnect, AC lockout and brownout protection.

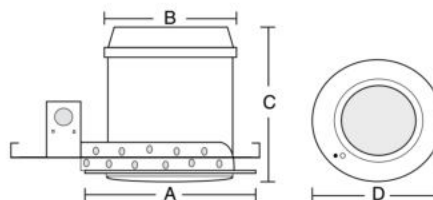
EXTERNAL SPECIFICATIONS

The GRR series is constructed from durable and lightweight aluminum. The standard trimplate is finished in white powder coat. External test switch and monitor LED are standard.

INSTALLATION

The GRR emergency luminaire is suitable for ceiling recess installations. Suitable for indoor location installations. 120/347VAC.

DIMENSIONS (MM, IN.)



Wattage	A	B	C	D
36W	229mm	170mm	183mm	229mm
	9"	6 7/16"	7 1/5"	9"

CHARGER SPECIFICATIONS

The GRR series utilizes a pulse switching charger that is up to 70% more efficient than older constant voltage chargers. The charger is a fully automatic current limited charger with solid state line latched low voltage disconnect protection. All components used in the circuitry are temperature compensated. The charger also has brownout and short circuit protection. Charger status is easily determined via a dual diagnostic LED display which indicates AC/ON and High Charge. An external push button test switch allows maintenance personnel to quickly determine the operational status of the unit and lamp load.



LR - PAR36 LARGE STYLE EMERGENCY REMOTE

The LR series of remotes are constructed of high impact thermoplastic and feature an innovative rotary locking collar design that securely locks the lens and reflector assembly into place. The locking collar allows maintenance personnel to quickly and easily complete relamping. A mechanically adjustable swivel locks the head in position once adjusted. The matching canopy fits all standard electrical junction boxes. The LR is supplied standard in a white colour, black colour is optional.

LAMP SELECTION

	6V	12V	24V	120V
Composite Tungsten	9, 12W	9, 12, 18W	9, 18, 25W	30, 50W
Composite Quartz (Q)	12, 20W	8, 12, 20, 35, 55W	12, 20, 70W	N/A
Sealed Beam Tungsten (SB)	8, 9, 12, 18, 20, 25W	12, 18, 25, 20, 35, 50W	N/A	N/A
Sealed Beam Quartz (QSB)	8, 12, 20W	8, 12, 20W	N/A	N/A

ORDERING INFORMATION

Series	Head #	Voltage / Wattage	Options
LR	1 (Single head)	See lamp selection	LC (Less canopy)
	2 (Double head)		SB (Sealed beam)
	3 (Triple head)		RBSB (Rubber head - sealed beam)
	4 (Quad head)		*TC (Teflon® coated lens) BLK (Black housing)

*NOTE: Teflon® is a registered trademark of DuPont™



SR - PAR18 SMALL STYLE EMERGENCY REMOTE

The SR series of remotes are constructed of high impact thermoplastic and feature an innovative rotary locking collar design that securely locks the lens and reflector assembly into place. The locking collar allows maintenance personnel to quickly and easily complete relamping. A mechanically adjustable swivel locks the head in position once adjusted. The matching canopy fits all standard electrical junction boxes. The SR is supplied standard in a white colour, black colour is optional.

LAMP SELECTION:

	6V	12V	24V
Composite Tungsten	9, 12W	9, 12, 18W	9, 18W
Composite Quartz (Q)	8, 12, 20W	8, 12, 20W	12, 20W

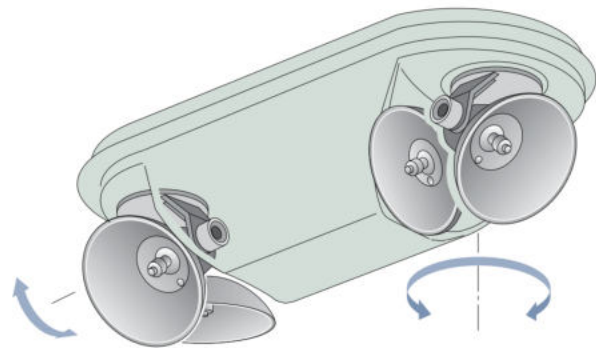
ORDERING INFORMATION

Series	Head #	Voltage / Wattage	Options
SR	1 (Single head)	See lamp selection	LC (Less canopy)
	2 (Double head)		BLK (Black housing)
	3 (Triple head)		
	4 (Quad head)		



RLA - ECCO LUNA REMOTE SERIES

The **ECCO LUNA** series housing is constructed from high quality corrosion, flame and vandal resistant polycarbonate. The highly efficient lens completely encloses and protects the unit's lamp assemblies. Liquid silicon gasketing is "hot-bonded" to the housing during the manufacturing process, ensuring its durability and effectiveness. Vandal resistant latch clips ensure the integrity of the **ECCO LUNA** remote. The **ECCO LUNA** is standard in white, optional custom colours are available.



Lamp assemblies can be rotated, aimed and locked on two [2] axis for the ultimate in flexibility and ease of use.

HIGH-OUTPUT DESIGN

The **ECCO LUNA** incorporates an efficient and high-output lens and reflector. Vacuum vaporization technology is used in the manufacturing of the reflector, resulting in a high-efficiency, mirror-like reflector. The diffusion lens has been designed to effectively transmit the greatest amount of light with the least transmittal loss.

ORDERING INFORMATION

Series	Lamps	Input Voltage
RLA	205 (2 x 5W halogen bi-pin)	6V, 12V, 24V
RLA	208 (2 x 8W halogen bi-pin)	6V, 12V, 24V
RLA	210 (2 x 10W halogen bi-pin)	6V, 12V, 24V
RLA	212 (2 x 12W halogen bi-pin)	6V, 12V, 24V

Vandal Resistant Remote

Vandal Resistant



VR - VANDAL RESISTANT EMERGENCY REMOTE

The VR series of remotes are constructed of high impact thermoplastic that fully encloses and protects the lamp and reflector assembly from tampering or damage. The VR series of remotes are ideally suited for high abuse areas.

LAMP SELECTION:

	6V	12V	24V
Composite Tungsten	9, 12W	9, 12, 18W	9, 18W
Composite Quartz (Q)	8, 12, 20W	8, 12, 20W	12, 20W
MR16 (BTMR)	N/A	10, 12, 20, 35, 50W	20, 35, 50W



ORDERING INFORMATION

Series	Head #	Voltage / Wattage	Option
VR	1 (Single)	See lamp selection	TP (Tamper proof screws)
	2 (Double)		

Wet Location Remotes

Wet Location Remotes

VANDAL
RESISTANT

WET/IP65



Optional custom colour - Standard in White.



HIGH-OUTPUT DESIGN

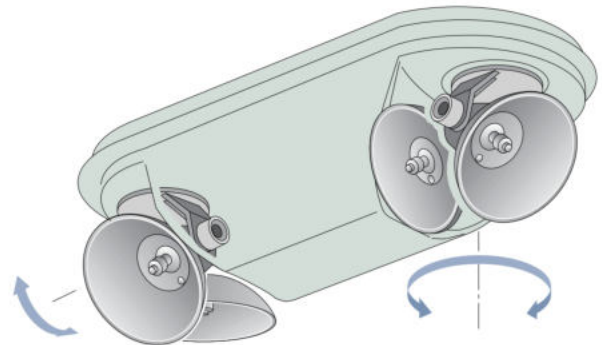
The LUNA incorporates an efficient and high-output lens and reflector. Vacuum vaporization technology is used in the manufacturing of the reflector, resulting in a high-efficiency, mirror-like reflector. The diffusion lens has been designed to effectively transmit the greatest amount of light with the least transmittal loss. The LUNA is standard in white, optional custom colours are available.

IP65/ WET LOCATION GASKETING

The LUNA carries an IP65 / wet location rating due to the advanced liquid silicon gasketing that completely seals the unit from moisture infiltration. Emergency units are especially vulnerable to fire sprinkler activation since these units are often installed right next to sprinkler heads. The IP65 / wet location rating ensures protection not just from ambient moisture but also from jets of water like those given off by broken or activated sprinkler heads.

RLAW - LUNA REMOTE SERIES IP65

The LUNA series housing is constructed from high quality corrosion, flame and vandal resistant polycarbonate. The highly efficient lens completely encloses and protects the unit's lamp assemblies. Liquid silicon gasketing is "hot-bonded" to the housing during the manufacturing process, ensuring its durability and effectiveness. Vandal resistant latch clips ensure the integrity of the LUNA remote. The LUNA is standard in white, optional custom colours are available.



Lamp assemblies can be rotated, aimed and locked on two [2] axis for the ultimate in flexibility and ease of use.

ORDERING INFORMATION

Series	Lamps	DC Voltage	Colour
RLAW	205 (2 x 5W halogen bi-pin)	6V, 12V, 24V	CC (Custom colours - contact factory)
RLAW	208 (2 x 8W halogen bi-pin)	6V, 12V, 24V	
RLAW	210 (2 x 10W halogen bi-pin)	6V, 12V, 24V	
RLAW	212 (2 x 12W halogen bi-pin)	6V, 12V, 24V	



TEMPESTA™ REMOTE SERIES IP65

Beghelli continues to be the innovation leader with the TEMPESTA™, the industry's first fluorescent remote fixture. The TEMPESTA™ is wired exactly like any typical incandescent remote fixture and can be connected to either a 12V or 24VDC circuit from a typical emergency lighting unit. Multiple TEMPESTAs™ can be connected on a single circuit and can even be mixed with incandescent remote fixtures! The high output fluorescent lamp provides extraordinary light levels over a wider area when compared to traditional incandescent remotes.

ORDERING INFORMATION

Series	Lamps	DC Voltage	Options
TA-RMT	24W (One [1] x 24W biax fluorescent lamp)	12V	RW (Recess wall)
		24V	RC (Recess ceiling)
			TB (T-bar mount)



WR - WEATHER PROOF EMERGENCY REMOTE

The WR series of NEMA 4 and 4X weather proof remotes are constructed from durable polycarbonate and designed to perform in harsh environments. The WR series is fully gasketed and designed with several surface conduit knockout points.

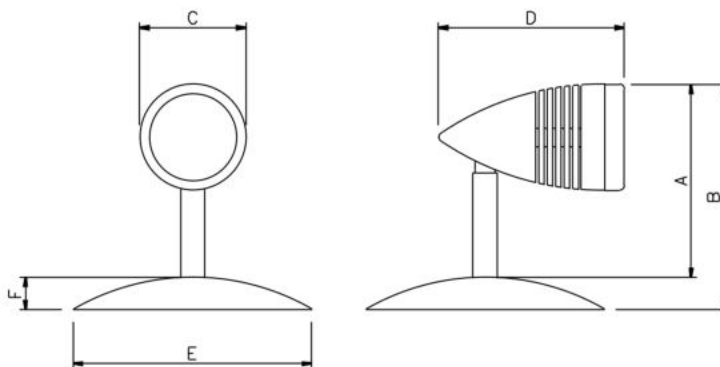
LAMP SELECTION:

	6V	12V	24V
Composite Tungsten	9, 12W	9, 12, 18W	9, 18W
Composite Quartz (Q)	8, 12, 20W	8, 12, 20W	12, 20W

ORDERING INFORMATION

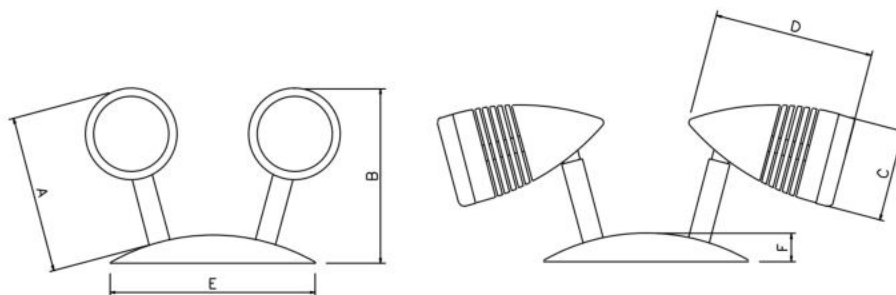
Series	Head #	Voltage / Wattage
WR	1 (Single lamp)	See lamp selection
	2 (Double lamps)	

BTMR MR16 Dimensions



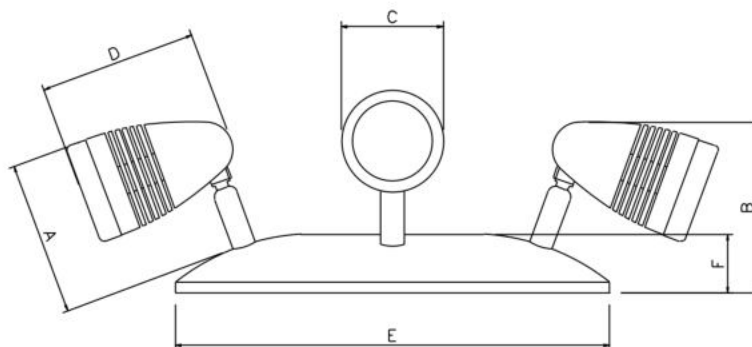
BTMR-1

DIMENSIONS:	A	B	C	D	E	F
INCHES	4 $\frac{7}{60}$ "	4 $\frac{37}{60}$ "	2 $\frac{23}{100}$ "	3 $\frac{9}{10}$ "	$\frac{5}{8}$ "	1 $\frac{17}{25}$ "
MILLIMETERS (mm)	103.12	120.40	56.64	99.06	127	17.27



BTMR-2

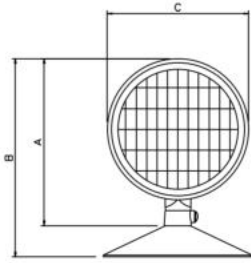
DIMENSIONS:	A	B	C	D	E	F
INCHES	3 $\frac{2}{25}$ "	4 $\frac{13}{60}$ "	2 $\frac{23}{100}$ "	3 $\frac{9}{10}$ "	$\frac{5}{8}$ "	1 $\frac{17}{25}$ "
MILLIMETERS (mm)	97.53	108.20	56.64	99.06	127	17.27



BTMR-3

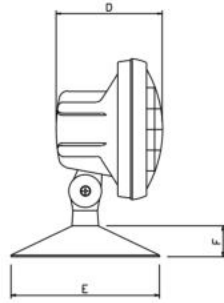
DIMENSIONS:	A	B	C	D	E	F
INCHES	3 $\frac{37}{100}$ "	3 $\frac{73}{100}$ "	2 $\frac{23}{100}$ "	3 $\frac{9}{20}$ "	9 $\frac{1}{2}$ "	1 $\frac{7}{25}$ "
MILLIMETERS (mm)	85.60	94.74	56.64	87.63	241.30	32.51

LR PAR36 Dimensions



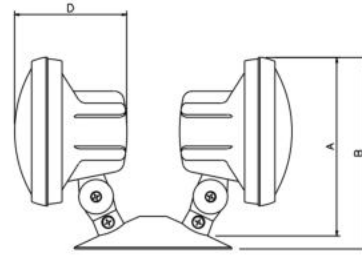
LR1-PAR36 SINGLE

DIMENSIONS:	A	B	C	D	E	F
INCHES	5 ⁶ / ₁₀₀ "	6 ⁶ / ₁₀₀ "	4 ⁷ / ₁₀₀ "	3 ⁵ / ₁₀₀ "	5"	1 ⁵ / ₁₀₀ "
MILLIMETERS (mm)	142	169	120	91	127	27



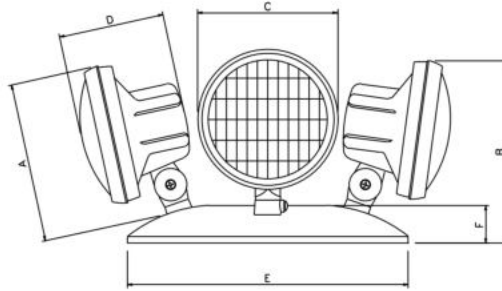
LR2-PAR36 DOUBLE

DIMENSIONS:	A	B	C	D	E	F
INCHES	5 ⁶ / ₁₀₀ "	6"	4 ⁷ / ₁₀₀ "	3 ⁵ / ₁₀₀ "	5"	1 ⁵ / ₁₀₀ "
MILLIMETERS (mm)	14	152	120	91	127	267



LR3-PAR36 TRIPLE

DIMENSIONS:	A	B	C	D	E	F
INCHES	5 ⁶ / ₁₀₀ "	6 ⁵ / ₁₀₀ "	4 ⁷ / ₁₀₀ "	3 ⁵ / ₁₀₀ "	9 ⁵ / ₁₀₀ "	1 ² / ₁₀₀ "
MILLIMETERS (mm)	142	165	120	91	241	33

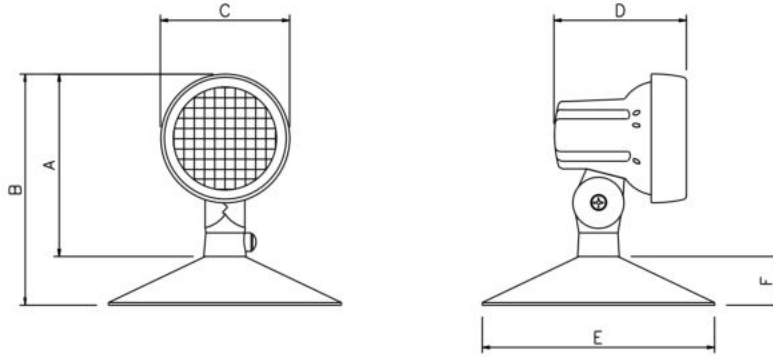


LR4-PAR36 QUAD

DIMENSIONS:	A	B	C	D	E	F
INCHES	5 ⁶ / ₁₀₀ "	6 ⁵ / ₁₀₀ "	4 ⁷ / ₁₀₀ "	3 ⁵ / ₁₀₀ "	9 ⁵ / ₁₀₀ "	1 ² / ₁₀₀ "
MILLIMETERS (mm)	142	165	120	91	241	33

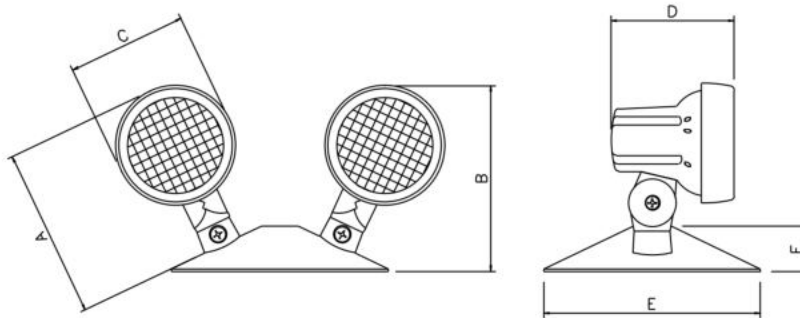
SR PAR18

Dimensions



SR1-PAR18 SINGLE

DIMENSIONS:	A	B	C	D	E	F
INCHES	3 ⁹² / ₁₀₀ "	4 ⁹⁷ / ₁₀₀ "	2 ⁷⁷ / ₁₀₀ "	2 ⁸⁴ / ₁₀₀ "	5"	1 ⁵ / ₁₀₀ "
MILLIMETERS (mm)	100	126	70	72	127	27

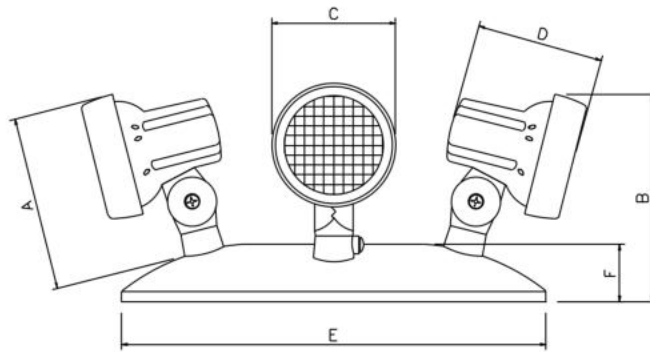


SR2-PAR18 DOUBLE

DIMENSIONS:	A	B	C	D	E	F
INCHES	3 ⁹² / ₁₀₀ "	4 ²⁹ / ₁₀₀ "	2 ⁷⁷ / ₁₀₀ "	2 ⁸⁴ / ₁₀₀ "	5"	1 ⁵ / ₁₀₀ "
MILLIMETERS (mm)	100	109	70	72	127	27

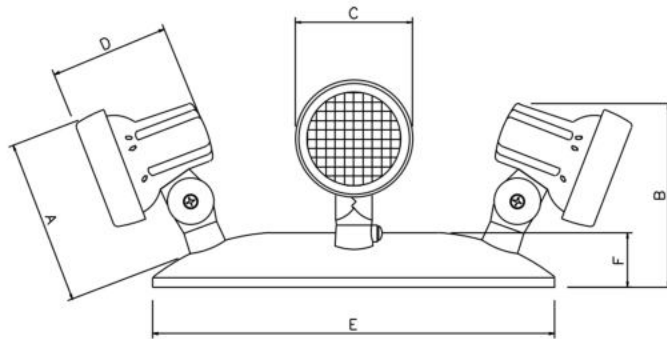
SR PAR18

Dimensions



SR3-PAR18 TRIPLE

DIMENSIONS:	A	B	C	D	E	F
INCHES	3 ⁹² / ₁₀₀ "	4 ⁶⁴ / ₁₀₀ "	2 ⁷⁷ / ₁₀₀ "	2 ⁸⁴ / ₁₀₀ "	9 ⁵⁹ / ₁₀₀ "	1 ²⁸ / ₁₀₀ "
MILLIMETERS (mm)	100	118	70	72	241	33



SR4-PAR18 QUAD

DIMENSIONS:	A	B	C	D	E	F
INCHES	3 ⁹² / ₁₀₀ "	4 ⁶⁴ / ₁₀₀ "	2 ⁷⁷ / ₁₀₀ "	2 ⁸⁴ / ₁₀₀ "	9 ⁵⁹ / ₁₀₀ "	1 ²⁸ / ₁₀₀ "
MILLIMETERS (mm)	100	118	70	72	241	33