

PR432347-PP-HE



Ballast Type:	Electronic	Starting Method:	Programmed Start
Lamp Connection:	Parallel	Input Voltage:	347
Input Frequency:	50/60 Hz	Sound Rating:	A
Remote Mounting:	18 ft Maximum	Warranty:	Five Years

ELECTRICAL SPECIFICATIONS

Lamp Type	# of Lamps	Rated Lamp Watts	Min. Start Temp. (°F/°C)	Input Current (Amps)	Input Power (Watts)	Ballast Factor	Max THD %	Power Factor	Max L.C.C.F.	B.E.F
F40T8	3	40	0 / -18	0.31	108	0.93	10	0.99	1.60	0.86
F32T8 *	4	32		0.32	111	0.88				0.79
	3			0.26	91	0.95				1.04
F32T8/ES (30W)	4	30	60 / 16	0.30	103	0.88				0.85
	3			0.25	85	0.95				1.12
F32T8/ES (28W)	4	28		0.27	95	0.88				0.93
	3			0.23	79	0.95				1.20
F32T8/ES (25W)	4	25		0.26	90	0.88				0.98
	3			0.22	75	0.95				1.27
F25T8	4	25		0 / -18	0.26	87				0.89
	3				0.21	73	0.97	1.33		
F17T8	4	17			0.18	63	0.92	1.46		
	3				0.15	53	0.98	1.85		

REGULATORY COMPLIANCE

- Meets ANSI Standard C82.11
- Meets ANSI Standard C62.41
- Meets FCC Part 18 Class A for EMI & RFI (Non-Consumer Limits)
- No PCB's
- cULus Listed (Class P, Type 1 Outdoor, Type HL)
- RoHS Compliant



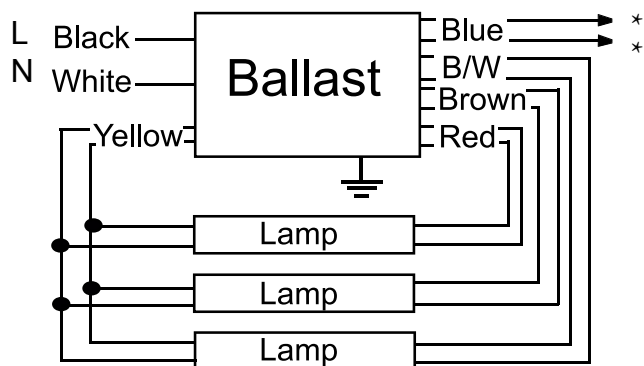
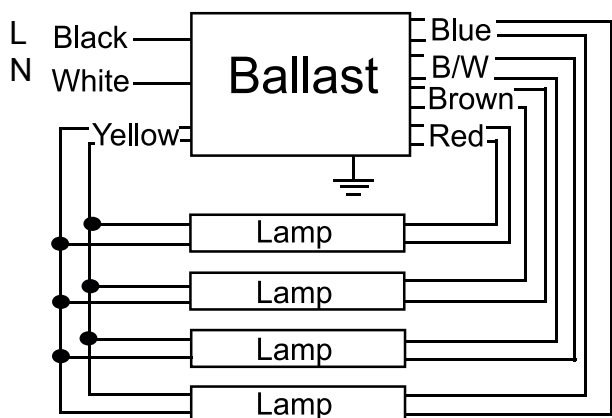
ULTRASAVE LIGHTING LTD.

12-140 AMBER STREET, MARKHAM, ON L3R 3J8 TEL 905.940.0888 FAX 905.940.0338 WWW.ULTRASAVE.CA

Data published here is based on the result of a test under a controlled environment. Actual performance can vary depending on operating conditions. Specifications are subject to change without notice. I0310USL

PHYSICAL CHARACTERISTICS

WIRING DIAGRAM



* Cap off each blue wire separately

LEAD LENGTH

Wire	in
Black	20
White	20
Blue	31
Red	31
Yellow	47
Brown	33
Blue/White	33

CASE DIMENSIONS

Overall (L)	9.50"
Width (W)	1.72"
Height (H)	1.18"
Mounting (M)	8.90"

ORDERING INFORMATION

Model #	Carton Quantity	Carton Weight	Carton Dimensions LxWxH	Skid Quantity
PR432347-PP-HE	20	31.31 lbs	11.02" x 10.63" x 9.06"	1000

ULTRASAVE LIGHTING LTD.

12-140 AMBER STREET, MARKHAM, ON L3R 3J8

TEL 905.940.0888

FAX 905.940.0338

WWW.ULTRASAVE.CA

Data published here is based on the result of a test under a controlled environment. Actual performance can vary depending on operating conditions. Specifications are subject to change without notice. I0310USL