

## UR213347HT-DL (kit)

### Kit Contents:

- Dual-lead ballast
- Mounting bracket
- Lead wire set and extraction tool
- Instructions
- Additional Mounting screw



<b>Ballast Type:</b>	Electronic	<b>Starting Method:</b>	Programmed Start
<b>Lamp Connection:</b>	Series	<b>Input Voltage:</b>	347
<b>Input Frequency:</b>	50/60 Hz	<b>Sound Rating:</b>	A
<b>Remote Mounting:</b>	10 ft Maximum	<b>Warranty:</b>	Three Years
<b>EOL Protection:</b>	Yes	<b>Max Case Temperature:</b>	90°C

## ELECTRICAL SPECIFICATIONS

Lamp Type	# of Lamps	Rated Lamp Watts	Min. Start Temp. (°F/°C)	Input Current (Amps)	Input Power (Watts)	Ballast Factor	Max THD %	Power Factor	Max L.C.C.F.	B.E.F
CFL 13W	2	13	-20 / -29	0.09	30	1.00	10	0.99	1.5	3.33
	1			0.05	16	1.00				6.25

## REGULATORY COMPLIANCE

- Meets ANSI Standard C82.11
- Meets ANSI Standard C62.41
- Meets FCC Part 18 Class A for EMI & RFI (Non-Consumer Limits)
- No PCB's
- cULus Listed (Class P, Type 1 Outdoor, Type HL)



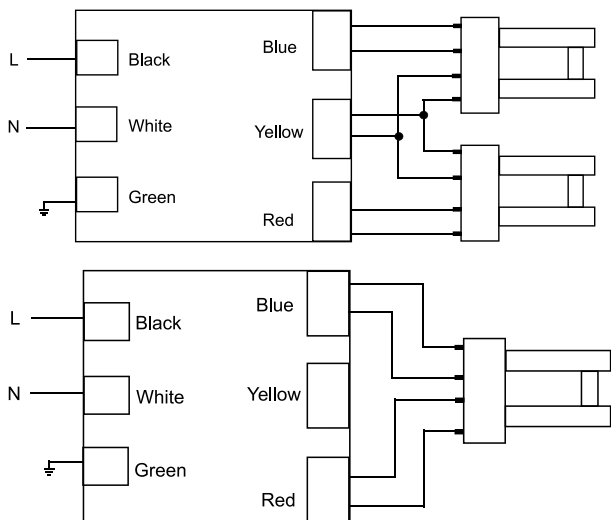
ULTRASAVE LIGHTING LTD.

12-140 AMBER STREET, MARKHAM, ON L3R 3J8 TEL 905.940.0888 FAX 905.940.0338 WWW.ULTRASAVE.CA

Data published here is based on the result of a test under a controlled environment. Actual performance can vary depending on operating conditions. Specifications are subject to change without notice. G1910USL

## PHYSICAL CHARACTERISTICS

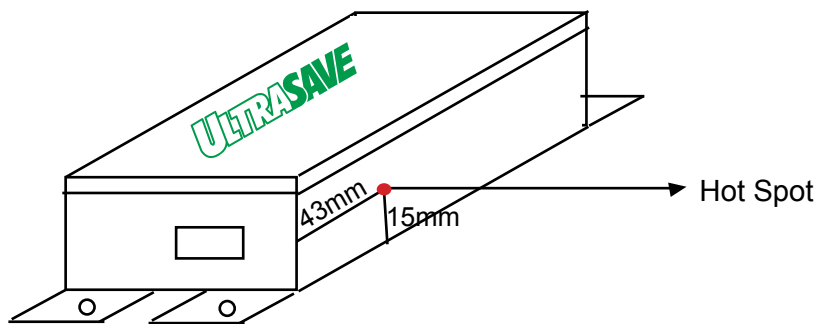
### WIRING DIAGRAM



### CASE DIMENSIONS

<b>Overall (L)</b>	4.92"
<b>Width (W)</b>	2.51"
<b>Height (H)</b>	1.15"
<b>Mounting (M)</b>	4.49"

## HOT SPOT LOCATION



## ORDERING INFORMATION

Model #	Carton Weight	Carton Dimensions LxWxH	Carton Quantity	Skid Quantity
UR213347HT-DL	14.33 lbs	14.96" x 12.01" x 4.96"	20	1000

### ULTRASAVE LIGHTING LTD.

12-140 AMBER STREET, MARKHAM, ON L3R 3J8

TEL 905.940.0888

FAX 905.940.0338

WWW.ULTRASAVE.CA

Data published here is based on the result of a test under a controlled environment. Actual performance can vary depending on operating conditions. Specifications are subject to change without notice. G1910USL