



e-Vision Low Wattage 20-150W

E-VISION ELE MH BAL 39WM130/ M179 120V 50/60HZ

Low frequency electronic HID ballasts such as the Philips Advance e-Vision line constantly measure and adjust the wattage, optimizing delivery of the ceramic lamps' superior color properties. This makes ceramic metal halide operated by e-Vision ballasts the premier choice for many applications previously illuminated by either tungsten halogen or incandescent sources, such as retail lighting.

Product data

• General Characteristics

Lamp Type	39W MH
Number of Lamps	1 piece
Input Voltage	120 V
Line Frequency	50/60 Hz
Ballast Type	Electronic HID
Base Model	RMH39KBLS
Housing	K
Housing Dimensions	4.1" x 1.3" x 1.2"
Housing Material	Metal
Suitable for Outdoor use?	Yes
Lifetime 90% surv.@Tcaselife	50000 hr
Family Name	eVision

• Operating Characteristics

Ignition time	1200 s
Input Power Gear	45 W
Ballast factor	1 -
Power Factor	0.90
Lamp Current Crest Factor	1.8 -
Sound Rating	A
Max THD	15 %

• Wiring Characteristics

Color input terminals	No terminals
Color output terminals	No terminals
Connector type	No connector
Wire Striplength	0.50 mm
Control Wire Gauge	NA
Wire Gauge	18AWG

Wire Length by Color	All leads = 6"
Wire Type	Stranded
Allowed Wiring Config(Remote)	Yes
Allowed Wiring Config(Tandem)	No
Allowed Wiring Config(Through)	No

• System Chars on driver level

Rated Lamp Watts	39
------------------	----

• Temperature Characteristics

T-case maximum	90 C
----------------	------

• Product Dimensions

Length A1	4.4 in
Length A2	4.1 in
Length A3	4.5 in
Width B1	1.1 in
Height C1	1.2 in
Width B2	0.5 in

• Approval & Application Chars

EMC Immunity	FCC Non-Consumer
CE marking	No
ENEC certificate	No
VDE certificate	No
UL Listed	Yes
CSA certificate	Yes
CEC Listing	No
CSA Recognized	No

PHILIPS

e-Vision Low Wattage 20-150W

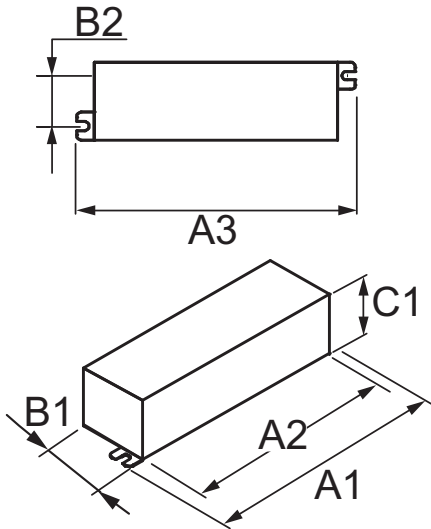
cUL certificate	No
EISA	No
FIDE Certificate	No
NOM certificate	No
RoHS Compliant	Yes
SASO Certificate	No
UL Recognized	No
ANSI Code	C130/M130, C179

Full product name	ELE MH BAL 39WM130/ M179 120V 50/60HZ
Short product name	ELE MH BAL 39WM130/ M179 120V 50/60HZ
Pieces per Sku	1
Skus/Case	12
Bar code on pack	781087073193
Bar code on case	50781087073204
Logistics code(s)	913700639089
eop_net_weight_pp	0.196 kg

• Product Data

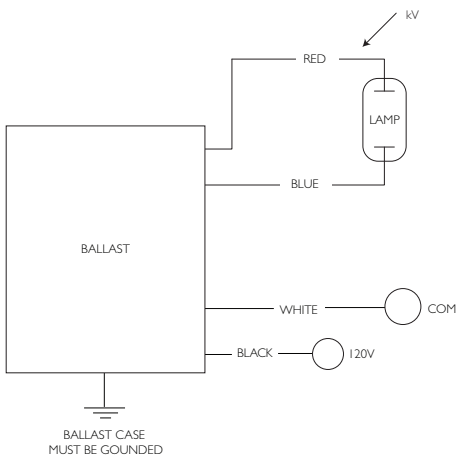
Product number	RMH39KBLSM
----------------	------------

Dimensional drawing



E-VISION ELE MH BAL 39WM130/ M179 120V 50/60HZ

Product	A1 (Norm)	A2 (Norm)	A3 (Norm)	A4 (Norm)	A5 (Norm)	B1 (Norm)	B2 (Norm)	C1 (Norm)
ELE MH BAL 39WM130/ M179 120V 50/60HZ	4.4	4.1	4.5	-	-	1.1	0.5	1.2



© 2014 Koninklijke Philips N.V. (Royal Philips)
All rights reserved.

Specifications are subject to change without notice. Trademarks are the property of Koninklijke Philips N.V. (Royal Philips) or their respective owners.

www.philips.com/lighting

2014, February 1
data subject to change