



Mark 7 0-10V

MARK 7 0-10V ELE DIMMING BALLAST (3) F32T8 120-277V

The Mark 7 0–10V series of dimmable electronic ballasts offer maximum versatility by incorporating separate control leads for use with a wide array of controllers, including occupancy sensors, daylight harvesting controls, and building management systems from more than 40 manufacturers. When paired with linear fluorescent and 4-pin compact fluorescent lamps, these ballasts optimize the benefits of such popular sustainable lighting techniques as daylight harvesting, occupancy sensing, and load shedding to satisfy the need for an affordable, flexible and versatile controllable lighting solution.

Product data

• General Characteristics

Lamp Type	F32T8
Number of Lamps	3 piece
Input Voltage	120-277 V
Line Frequency	50/60 Hz
Ballast Type	Dimmable Fluorescent
Base Model	IZT3S32SC
Housing	SC
Housing Dimensions	9.5" x 1.7" x 1.18"
Housing Material	Metal
Suitable for Outdoor use?	Yes
Starting Method	Programmed Start
Family Name	Mark 7 0-10V

• Operating Characteristics

Automatic restart	Yes
Ignition time	1.5 s
Min. Input Watts	18 (min) W
Max. Input Watts	93 (max) W
Min. Ballast Factor	0.03 (min) -
Max. Ballast Factor	1 (max) -
Ballast Efficacy Factor	1.08 -
Power Factor	0.99
Lamp Current Crest Factor	1.6 -
Sound Rating	A
Max THD	10 %

• Wiring Characteristics

Color input terminals	No terminals
Color output terminals	No terminals
Connector type	No connector
Wire Striplength	0.50/0.375 mm

Control Wire Gauge	18AWG
Lamp Connection Series	Series
Wire Gauge	18AWG
Wire Length by Color	See data sheet
Wire Type	Solid
Allowed Wiring Config(Remote)	No
Allowed Wiring Config(Tandem)	No
Allowed Wiring Config(Through)	No
Max Dist. Ball to Lamp(Remote)	No Remote
Max Dist. Ball to Lamp(Tandem)	No Tandem
Max Dist. Ball to Lamp(Through)	No Through

• System Chars on driver level

Rated Lamp Watts	32W
------------------	-----

• Temperature Characteristics

T-case maximum	70 C
----------------	------

• Product Dimensions

Length A1	9.5 in
Length A2	8.90 in
Width B1	1.7 in
Height C1	1.18 in

• Approval & Application Chars

EMC Immunity	FCC Consumer
--------------	--------------

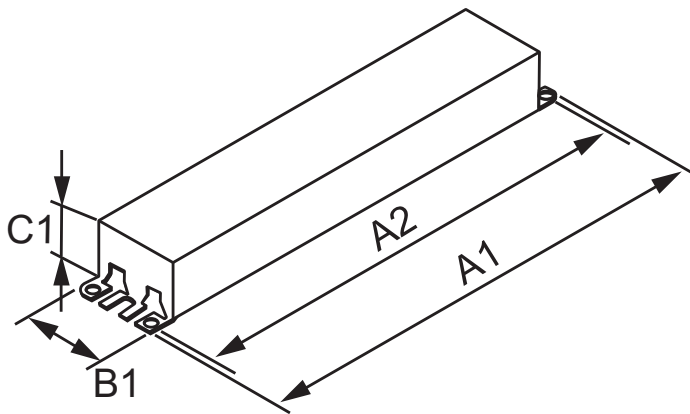
PHILIPS

Approbation Marks	UL, CSA, NEMA Premium, RoHS
UL Listed	Yes
CSA certificate	Yes
CEC Listing	Yes
CEE Rated	Yes
Circle E logo	No
CSA E	No
cUL certificate	No
Energy Star	No
FIDE Certificate	No
NEMA Premium	Yes
NOM certificate	No
RoHS Compliant	Yes
SASO Certificate	No
UL Recognized	No

• Product Data

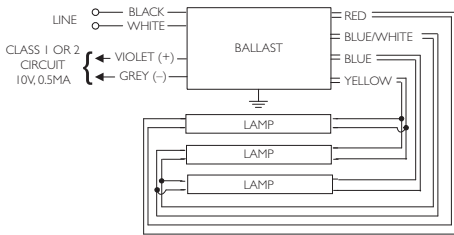
Product number	IZT3S32SC35I
Full product name	ELE DIMMING BALLAST (3) F32T8 120-277V
Short product name	ELE DIMMING BALLAST (3) F32T8 120-277V
Pieces per Sku	1
Skus/Case	10
Bar code on pack	781087036471
Bar code on case	30781087036472
Logistics code(s)	913710265501
eop_net_weight_pp	0.522 kg

Dimensional drawing



MARK 7 0-10V ELE DIMMING BALLAST (3) F32T8 120-277V

Product	A1 (Norm)	A2 (Norm)	A3 (Norm)	B1 (Norm)	C1 (Norm)
ELE DIMMING BALLAST (3) F32T8 120-277V	9.5	8.90	-	1.7	1.18



© 2014 Koninklijke Philips N.V. (Royal Philips)
All rights reserved.

Specifications are subject to change without notice. Trademarks are the property of Koninklijke Philips N.V. (Royal Philips) or their respective owners.

www.philips.com/lighting

2014, February 1
data subject to change