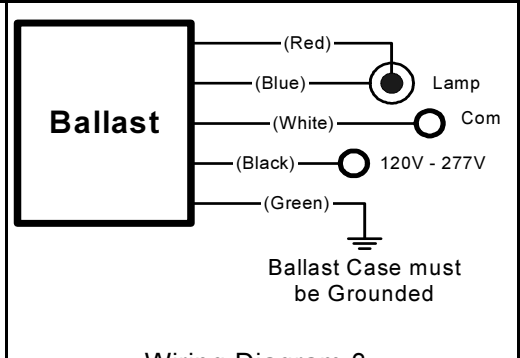
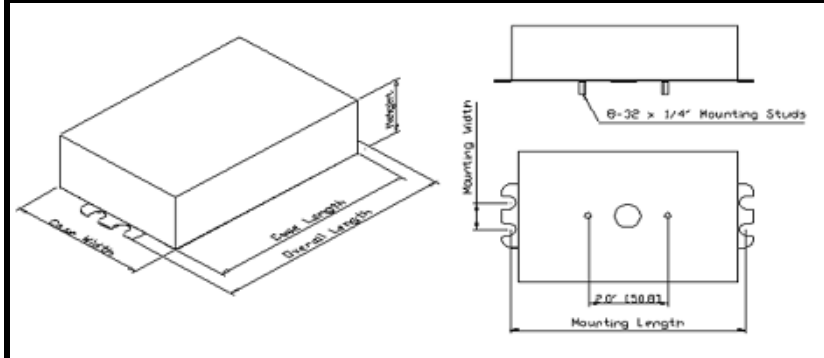


| | | |
|---|---|--|
|  | e-Vision Electronic Ballast for Metal Halide Lamps | Catalog Number: IMH-70-D For 70W Metal Halide Lamps ANSI C98/M98, C139/M139 or M143 120-277V 50/60Hz Electronic Status: RELEASED |
|---|---|--|

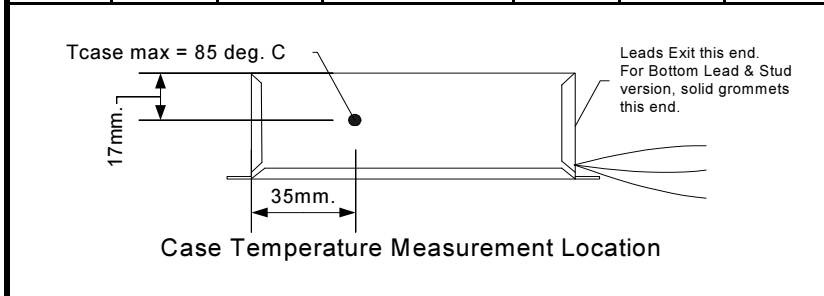
| DIMENSIONS AND DATA | | | | | | | | | | | |
|---------------------|-------|-------------|-----------------|---------------------|---------------------|------------------|-------------|------|-------------|----------------------------|--|
| Lamp | | Input Volts | Catalog Number* | Line Current (Amps) | Input Power (Watts) | Min Power Factor | Wiring Diag | Fig. | Weight (lb) | Max. Distance to Lamp (ft) | |
| Number | Watts | | | | | | | | | | |

| | | | | | | | | | | | |
|--|----|------------|--------------|--------------|----------|-----|---|---|-----|---|--|
| 70W Watt Lamp, ANSI Code C98/M98, C139/M139 or M143 Minimum Starting Temp -20°C/-4°F | | | | | | | | | | | |
| 1 | 70 | 120 277 | IMH-70-D-XXX | 0.66 0.28 | 79 76 | 0.9 | 3 | D | 1.5 | 3 | |



| Case Figure | Overall Length | Case Length | Case Width | Height | Mounting Length | Mounting Width |
|-------------|-----------------|-----------------|----------------|----------------|-----------------|----------------|
| D | 128mm [5.0"] | 108mm [4.3"] | 77mm [3.0"] | 38mm [1.5"] | 118mm [4.6"] | 19mm [0.7"] |

Wiring Diagram 3



- INSTALLATION & APPLICATION NOTES:**
- Maximum allowable case temperature is 85°C. See figure above for measurement location
 - Ignition pulse is 4 kV max
 - All leads are 12 inches long
 - Ballast output will shutdown after 20 minutes if lamp fails to ignite
 - Power must be cycled off – then on, after replacing lamp

| *Ordering Information | |
|-----------------------|---|
| Order Suffix | Description |
| -LF | Ballast with side exit leads and mounting feet |
| -BLS | Ballast with bottom exit leads and mounting studs |

Data is based on tests performed by Philips Advance in a controlled environment and is representative of relative performance. Actual performance can vary depending on operating conditions. Specifications are subject to change without notice. All specifications are nominal unless otherwise noted.

Philips Lighting Electronics N.A.

10275 West Higgins Road • Rosemont, IL 60018 • www.philips.com/advance
 Tel: 800-322-2086 • Fax: 800-423-1882 • Customer Support: 800-372-3331 • OEM Support: 866-915-5886