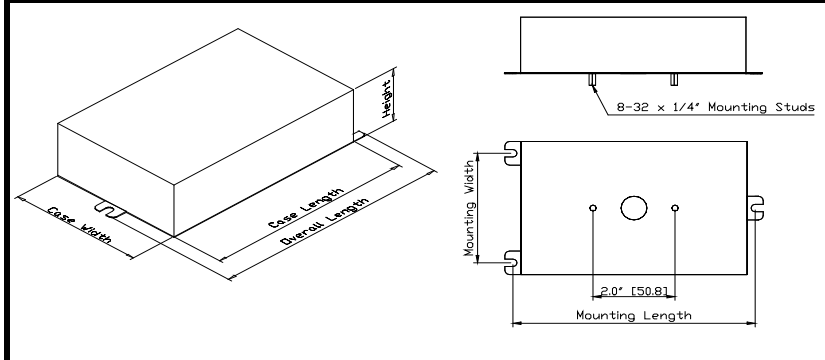


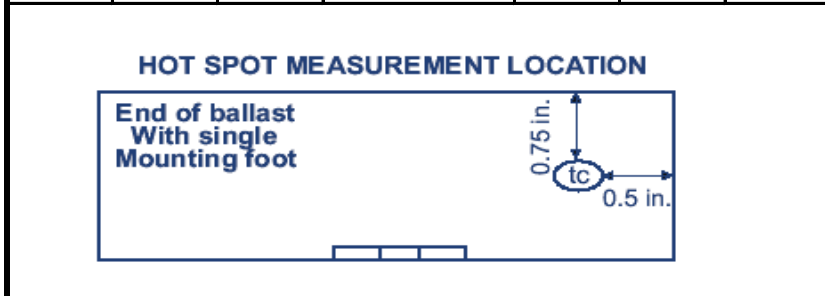
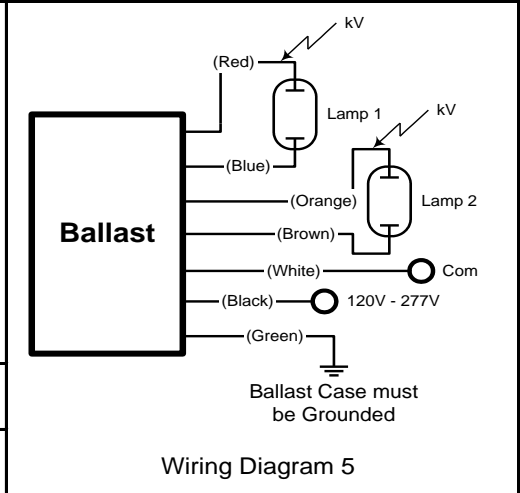
	e-Vision® Electronic Ballast for Metal Halide Lamps	Catalog Number: IMH-239-A For (2) 39W Metal Halide Lamps ANSI C130/M130 120-277 50/60Hz Electronic Status: RELEASED
---	--	---

DIMENSIONS AND DATA											
Lamp		Input Volts	Catalog Number*	Line Current (Amps)	Input Power (Watts)	Min Power Factor	Wiring Diag	Fig.	Weight (lb)	Max. Distance to Lamp (ft)	
Number	Watts										

39W Watt Lamp, ANSI Code C130/M130 Minimum Starting Temp -20°C/-4°F											
2	39	120 277	IMH-239-A-XXX	0.74 0.31	89 86	0.9	5	A/B	1.6	6	



Case Figure	Overall Length	Case Length	Case Width	Height	Mounting Length	Mounting Width
A/B	140mm [5.5"]	120mm [4.7"]	92mm [3.6"]	38mm [1.5"]	132mm [5.2"]	73mm [2.9"]






- INSTALLATION & APPLICATION NOTES:**
- Maximum allowable case temperature is 85°C. See figure above for measurement location
 - Ignition pulse is 4 kV max
 - All leads are 12 inches long
 - Ballast output will shutdown after 20 minutes if lamp fails to ignite
 - Power must be cycled off – then on, after replacing lamp
 - When one lamp fails, the other lamp remains lit
 - Connect the red and orange leads to the center terminals of their respective lamps when using screw base lamps

*Ordering Information	
Order Suffix	Description
-LF	Ballast with side exit leads and mounting feet
-BLS	Ballast with bottom exit leads and mounting studs

Data is based on tests performed by Philips Advance in a controlled environment and is representative of relative performance. Actual performance can vary depending on operating conditions. Specifications are subject to change without notice. All specifications are nominal unless otherwise noted.