



Centium T8 Instant Start

CENTIUM ELE BALLAST (4) F32T8 120-277V

Reliable and energy efficient Philips Advance's Centium commercial grade specifications, plus added benefits of lamp striation reduction technology.

Product data

• General Characteristics

| | |
|---------------------------|------------------------|
| Lamp Type | F32T8 |
| Number of Lamps | 3/4 piece |
| Input Voltage | 120-277 V |
| Line Frequency | 50/60 Hz |
| Ballast Type | Electronic Fluorescent |
| Base Model | ICN4P32N |
| Housing | N |
| Housing Dimensions | 9.5" x 1.3" x 1.0" |
| Housing Material | Metal |
| Suitable for Outdoor use? | Yes |
| Starting Method | Instant Start |
| Family Name | Centium |

| | |
|---------------------------------|--------------------------|
| Wire Length by Color | See data sheet |
| Wire Type | Solid |
| Allowed Wiring Config(Remote) | Yes |
| Allowed Wiring Config(Tandem) | Yes |
| Allowed Wiring Config(Through) | Yes |
| Max Dist. Ball to Lamp(Remote) | ES = 6' / Standard = 20' |
| Max Dist. Ball to Lamp(Tandem) | ES = 6' / Standard = 20' |
| Max Dist. Ball to Lamp(Through) | ES = 6' / Standard = 20' |

• Operating Characteristics

| | |
|---------------------------|-----------|
| Automatic restart | Yes |
| Ignition time | 0.1 s |
| Input Power Gear | 111-111 W |
| Ballast factor | 0.89 - |
| Ballast Efficacy Factor | 0.8 - |
| Power Factor | 0.98 |
| Lamp Current Crest Factor | 1.7 - |
| Sound Rating | A |
| Max THD | 10 % |

• System Chars on driver level

| | |
|------------------|-----|
| Rated Lamp Watts | 32W |
|------------------|-----|

• Temperature Characteristics

| | |
|----------------|------|
| T-case maximum | 70 C |
|----------------|------|

• Product Dimensions

| | |
|-----------|---------|
| Length A1 | 9.50 in |
| Length A2 | 8.90 in |
| Width B1 | 1.30 in |
| Height C1 | 1.00 in |

• Wiring Characteristics

| | |
|------------------------|---------------|
| Color input terminals | No terminals |
| Color output terminals | No terminals |
| Connector type | No connector |
| Wire Striplength | 0.50/0.375 mm |
| Lamp Connection | Parallel |
| Wire Gauge | 18AWG |

• Approval & Application Chars

| | |
|-------------------|-----------------------------|
| EMC Immunity | FCC Non-Consumer |
| Approbation Marks | UL, CSA, NEMA Premium, RoHS |
| UL Listed | Yes |
| CSA certificate | Yes |

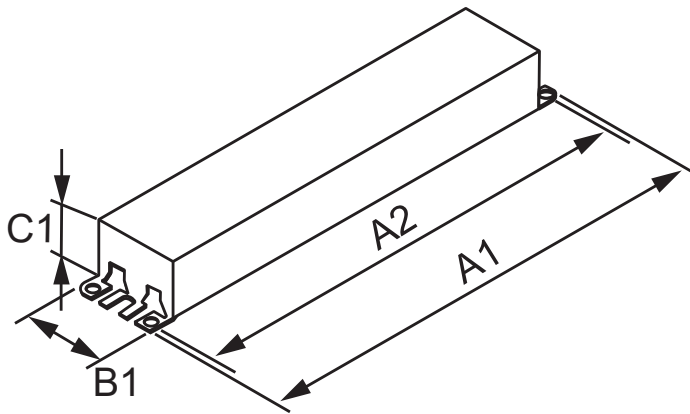
PHILIPS

| | |
|------------------|-----|
| CEC Listing | Yes |
| CEE Rated | Yes |
| Circle E logo | No |
| CSA E | No |
| cUL certificate | No |
| DOE | No |
| Energy Star | No |
| FIDE Certificate | No |
| NEMA Premium | Yes |
| NOM certificate | Yes |
| RoHS Compliant | Yes |
| SASO Certificate | No |
| UL Recognized | No |

• Product Data

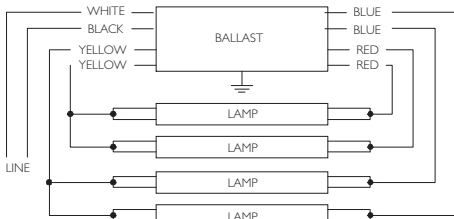
| | |
|--------------------|--------------------------------|
| Product number | ICN4P32N35M |
| Full product name | ELE BALLAST (4) F32T8 120-277V |
| Short product name | ELE BALLAST (4) F32T8 120-277V |
| Pieces per Sku | 1 |
| Skus/Case | 30 |
| Bar code on pack | 781087091517 |
| Bar code on case | 50781087091529 |
| Logistics code(s) | 913701220302 |
| eop_net_weight_pp | 0.386 kg |

Dimensional drawing



CENTIUM ELE BALLAST (4) F32T8 120-277V

| Product | A1 (Norm) | A2 (Norm) | A3 (Norm) | B1 (Norm) | C1 (Norm) |
|--------------------------------|-----------|-----------|-----------|-----------|-----------|
| ELE BALLAST (4) F32T8 120-277V | 9.50 | 8.90 | - | 1.30 | 1.00 |



For three lamp operation, insulate unused blue leads individually for 600V



© 2014 Koninklijke Philips N.V. (Royal Philips)
All rights reserved.

Specifications are subject to change without notice. Trademarks are the property of Koninklijke Philips N.V. (Royal Philips) or their respective owners.

www.philips.com/lighting

2014, March 26
data subject to change