



SmartMate

SMARTMATE ELE BAL (2) 42W CFL (4-PIN) 120/277V KIT

Offering maximum versatility, the Philips Advance family of SmartMate ballasts for 4-pin compact fluorescent lamps drive a broad range of quad and triple-tube, circline, 2D, and long twin-tube lamps. SmartMate ballasts' energy efficient design, compact and lightweight housing, and user-friendly features make these ballasts an ideal choice for fixture manufacturers, retrofitters, and MRO replacement.

Product data

• General Characteristics

Lamp Type	CFTR42W/GX24Q
Number of Lamps	1/2 piece
Input Voltage	120-277 V
Line Frequency	50/60 Hz
Ballast Type	Electronic Fluorescent
Base Model	ICF2S42M2LD
Housing	M2
Housing Dimensions	4.98" x 3.0" x 1.29"
Housing Material	Metal
Suitable for Outdoor use?	Yes
Starting Method	Programmed Start
Family Name	SmartMate

• Operating Characteristics

Automatic restart	Yes
Ignition time	1.5 s
Input Power Gear	93-93 W
Ballast factor	0.97 -
Ballast Efficacy Factor	1.04 -
Power Factor	0.98
Lamp Current Crest Factor	1.5 -
Sound Rating	A
Max THD	10 %

• Wiring Characteristics

Color input terminals	BLK & WHT
Color output terminals	RED, YEL & BLU
Connector type	Poke-In
Wire Striplength	0.375 mm
Lamp Connection	Series
Wire Gauge	18AWG

Wire Length by Color	No wires
Wire Type	Solid
Allowed Wiring Config(Remote)	Yes
Allowed Wiring Config(Tandem)	Yes
Allowed Wiring Config(Through)	Yes
Max Dist. Ball to Lamp(Remote)	1-L = 15' / 2-L = 6'
Max Dist. Ball to Lamp(Tandem)	2-L: Red = 6'
Max Dist. Ball to Lamp(Through)	2-L: Red = 6'

• System Chars on driver level

Rated Lamp Watts	42W
------------------	-----

• Temperature Characteristics

T-case maximum	75 C
----------------	------

• Product Dimensions

Length A1	4.55 in
Length A2	4.20 in
Length A3	2.00 in
Width B1	3.00 in
Height C1	1.29 in

• Approval & Application Chars

EMC Immunity	FCC Non-Consumer
Approbation Marks	UL, CSA, RoHS
UL Listed	Yes

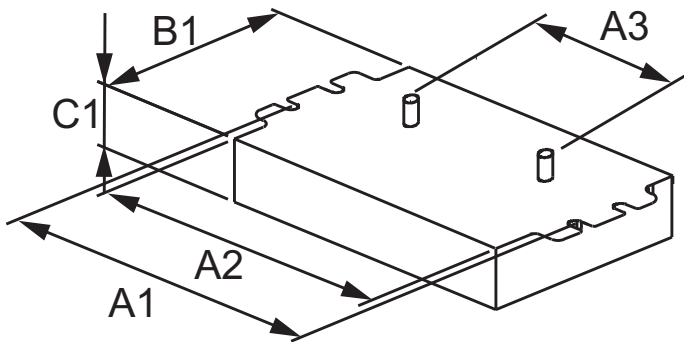
PHILIPS

CSA certificate	Yes
CEC Listing	Yes
CEE Rated	No
Circle E logo	No
CSA E	No
cUL certificate	No
DOE	No
Energy Star	No
FIDE Certificate	No
NEMA Premium	No
NOM certificate	Yes
RoHS Compliant	Yes
SASO Certificate	No
UL Recognized	No

• Product Data

Product number	ICF2S42M2LDK
Full product name	ELE BAL (2) 42W CFL (4-PIN) 120/277V KIT
Short product name	ELE BAL (2) 42W CFL (4-PIN) 120/277V KIT
Pieces per Sku	1
Skus/Case	12
Bar code on pack	781087102947
Bar code on case	30781087117799
Logistics code(s)	913710209004
eop_net_weight_pp	0.404 kg

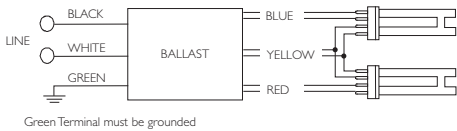
Dimensional drawing



SMARTMATE ELE BAL (2) 42W CFL (4-PIN) 120/277V KIT

Product	A1 (Norm)	A2 (Norm)	A3 (Norm)	B1 (Norm)	C1 (Norm)
ELE BAL (2) 42W CFL (4-PIN) 120/277V KIT	4.55	4.20	2.00	3.00	1.29

Studs for -BS models only
-LD models do not have
mounting studs



© 2014 Koninklijke Philips N.V. (Royal Philips)
All rights reserved.

Specifications are subject to change without notice. Trademarks are the property of Koninklijke Philips N.V. (Royal Philips) or their respective owners.

www.philips.com/lighting

2014, March 5
data subject to change