



Optanium T8 Programmed Start

OPTANIUM ELE BALLAST (4) F32T8 347V

Philips Advance Optanium high-efficiency electronic ballasts are engineered to optimize lighting performance and maximize energy savings. These ballasts provide an unparalleled package of features and benefits to support the wide variety of T8 fluorescent lamps out in the market place.

Product data

• General Characteristics

Lamp Type	F32T8
Number of Lamps	3/4 piece
Input Voltage	347 V
Input Current (Operating)	0.33 A
Line Frequency	50/60 Hz
Ballast Type	Electronic Fluorescent
Base Model	GOP4PSP32SC
Housing	SC
Housing Dimensions	9.5" x 1.7" x 1.18"
Housing Material	Metal
Suitable for Outdoor use?	Yes
Starting Method	Programmed Start
Family Name	Optanium

Lamp Connection	Parallel
Wire Gauge	18AWG
Wire Length by Color	See data sheet
Wire Type	Solid
Allowed Wiring Config(Remote)	Yes
Allowed Wiring Config(Tandem)	Yes
Allowed Wiring Config(Through)	Yes
Max Dist. Ball to Lamp(Remote)	ES = 6' / Standard = 8'
Max Dist. Ball to Lamp(Tandem)	ES = 6' / Standard = 8'
Max Dist. Ball to Lamp(Through)	ES = 6' / Standard = 8'

• Operating Characteristics

Automatic restart	Yes
Ignition time	1.5 s
Input Power Gear	114 W
Ballast factor	0.88 -
Ballast Efficacy Factor	0.77 -
Power Factor	0.98
Lamp Current Crest Factor	1.6 -
Sound Rating	A
Max THD	10 %

• System Chars on driver level

Rated Lamp Watts	32W
------------------	-----

• Temperature Characteristics

T-case maximum	70 C
----------------	------

• Product Dimensions

Length A1	9.5 in
Length A2	8.90 in
Width B1	1.7 in
Height C1	1.18 in

• Wiring Characteristics

Color input terminals	No terminals
Color output terminals	No terminals
Connector type	No connector
Wire Striplength	0.50/0.375 mm

• Approval & Application Chars

EMC Immunity	FCC Non-Consumer
Approbation Marks	UL, CSA, RoHS

PHILIPS

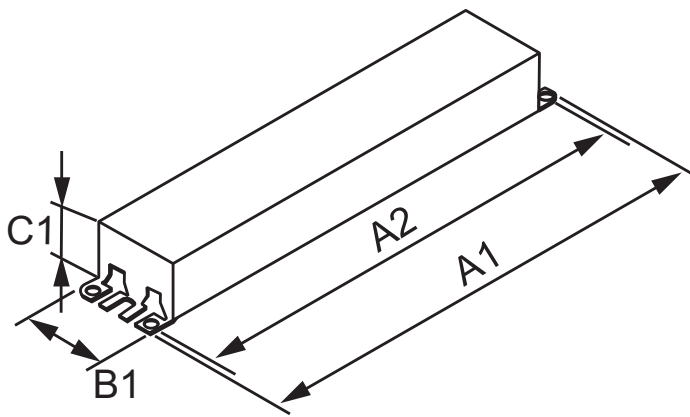
UL Listed	Yes
CSA certificate	Yes
CEC Listing	No
CEE Rated	Yes
Circle E logo	No
CSA E	No
cUL certificate	No
DOE	No
Energy Star	No
FIDE Certificate	No
NEMA Premium	No
NOM certificate	No
RoHS Compliant	Yes
SASO Certificate	No

UL Recognized No

• Product Data

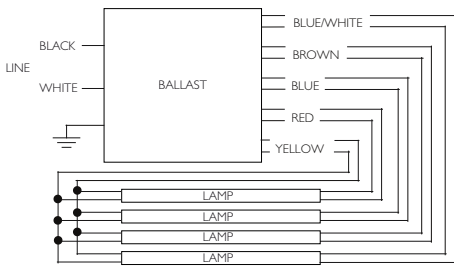
Product number	GOP4PSP32SC35M
Full product name	ELE BALLAST (4) F32T8 347V
Short product name	ELE BALLAST (4) F32T8 347V
Pieces per Sku	1
eop_pck_cfg	20
Skus/Case	20
Bar code on pack	781087098776
Bar code on case	50781087098788
Logistics code(s)	913701228102
eop_net_weight_pp	0.531 kg

Dimensional drawing



OPTANIUM ELE BALLAST (4) F32T8 347V

Product	A1 (Norm)	A2 (Norm)	A3 (Norm)	B1 (Norm)	C1 (Norm)
ELE BALLAST (4) F32T8 347V	9.5	8.90	-	1.7	1.18



© 2014 Koninklijke Philips N.V. (Royal Philips)
All rights reserved.

Specifications are subject to change without notice. Trademarks are the property of Koninklijke Philips N.V. (Royal Philips) or their respective owners.

www.philips.com/lighting

2014, February 1
data subject to change