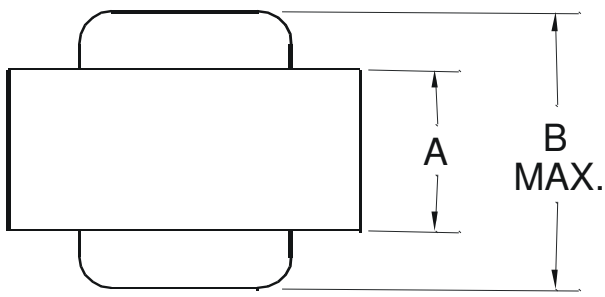
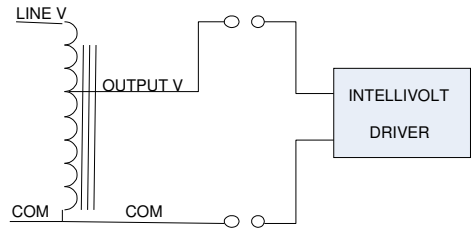
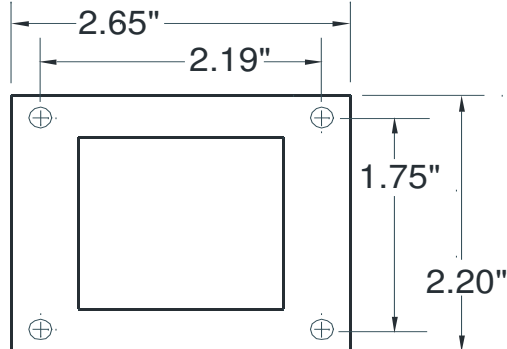



	<p><b>Step-down Transformer</b></p>	<p>Catalog Number: 71A9843-600                  Step-down Transformer                  347/480 : 190/270                  Max VA Load: 350                  Status: RELEASED</p>
---	-------------------------------------	--

**DIMENSIONS AND DATA**

<p><b>7/8 E-I Core</b></p> 	 <p>Fig. T-5</p>
--	--

<b>A Dimension</b>	<b>B Dimension</b>	<b>Input</b>	<b>Output</b>
2.35"	3.6"	347V	190V
		480V	270V
		1.0 A max.	350 VA Load max.

	
---	---

Data is based on tests performed by Philips Advance in a controlled environment and is representative of relative performance. Actual performance can vary depending on operating conditions. Specifications are subject to change without notice. All specifications are nominal unless otherwise noted.

**Philips Lighting Electronics**

10275 West Higgins Road • Rosemont, IL 60018 • [www.philips.com/advance](http://www.philips.com/advance)  
 Tel: 800-322-2086 • Fax: 800-423-1882 • Customer Support: 800-372-3331 • OEM Support: 866-915-5886