



Core & Coil (71A) HPS < 200W

CORE & COIL HID HPS BAL 70W S62 120V C&C

The basic ballast is the open core and coil which is most often used as a component within a lighting luminaire. The core and coil also forms the nucleus of Philips Advance's five other ballast configurations.

Product data

• General Characteristics

Lamp Type	70W HPS
Number of Lamps	1 piece
Line Voltage	120 V
Input Current (Operating)	1.6 A
Line Frequency	60 Hz
Circuit Type	R-NPF
Ballast Type	Magnetic HID
Base Model	71A7907B_NPF
Core Size	2 5/8 x 2 3/16
Suitable for Outdoor use?	Yes
Ignitor Catalog Number	INTEGRAL
Ignitor Temp Rating	125°C
Capacitor value [µF]	NA
Capacitor Catalog Number	NA
Capacitor Requirements	NA
Capacitor Temp Rating	NA
Family Name	Core & Coil HPS

• Operating Characteristics

Automatic restart	No
Input Voltage at Lamp Dropout	96 V
Nominal Open Circuit Voltage	120 V
Inp. Current (Open Circuit)	0 A
Input Current (Starting)	2.1 A

Input Current Short Circuit	1.9-2.9 A
Secondary ShortCircuit Current	1.9-2.9 A
Input Power Gear Constant wattage deviation	86 W Within Trapezoid
Ballast factor	1 -
Power Factor	0.43

• Wiring Characteristics

Wire Striplength	0.5 mm
Wire Length by Color	12"
Wire Type	Stranded
Allowed Wiring Config(Remote)	Yes
Max Dist. Ball to Lamp(Remote)	2'
Recommended Fuse	8 A

• System Chars on driver level

Rated Lamp Watts	70W
------------------	-----

• Product Dimensions

Length A1	2.6 in
Length A2	2.2 in
Width B1	2.2 in
Coil Depth C1	2.90 in
Stack Height C2	1.3 in
Width B2	1.8 in

PHILIPS

Core & Coil (71A) HPS < 200W

• Approval & Application Chars

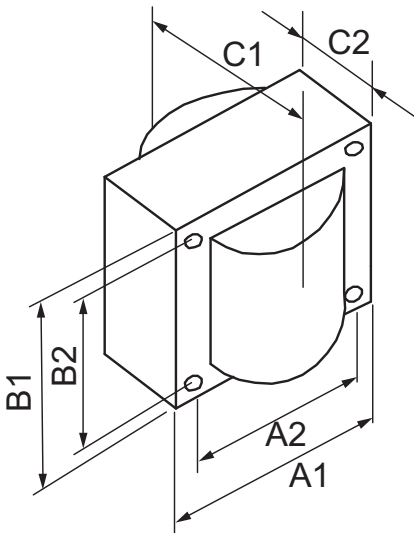
Approbation Marks	ULR, CSA, RoHS
CE marking	No
VDE certificate	No
UL Listed	No
CSA certificate	Yes
CCC certificate	No
Chia Quality Certificate	No
Temperature marking	A
CEC Listing	No
cUL certificate	No
EISA	No
ETL Certificate	No
FIDE Certificate	No
NOM certificate	No
RoHS Compliant	Yes
SASO Certificate	No
UL Recognized	Yes
ANSI Code	S62

HiPot Test (1 minute)	2000 V
HiPot Test (2 seconds)	2500 V
Open Circ Voltage Test (Volts)	114-126 V
UL Insulation Class	H(180°C)
UL Temperature Code	1029A

• Product Data

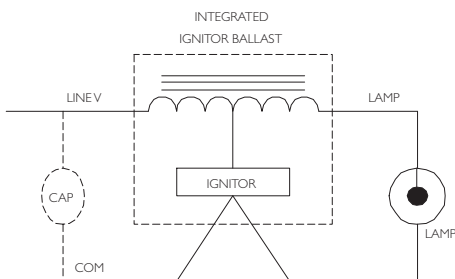
Product number	71A7907600B
Full product name	HPS BAL 70W S62 120V C&C
Short product name	HPS BAL 70W S62 120V C&C
Pieces per Sku	1
Skus/Case	24
Bar code on pack	781087790779
Bar code on case	50781087790774
Logistics code(s)	913700501771
eop_net_weight_pp	0.885 kg

Dimensional drawing



CORE & COIL HID HPS BAL 70W S62 120V C&C

Product	A1 (Norm)	A2 (Norm)	A3 (Norm)	B1 (Norm)	B2 (Norm)	C1 (Norm)	C2 (Norm)
HPS BAL 70W S62 120V C&C	2.6	2.2	-	2.2	1.8	2.90	1.3





© 2014 Koninklijke Philips N.V. (Royal Philips)
All rights reserved.

Specifications are subject to change without notice. Trademarks are the property of Koninklijke Philips N.V. (Royal Philips) or their respective owners.

www.philips.com/lighting

2014, March 26
data subject to change