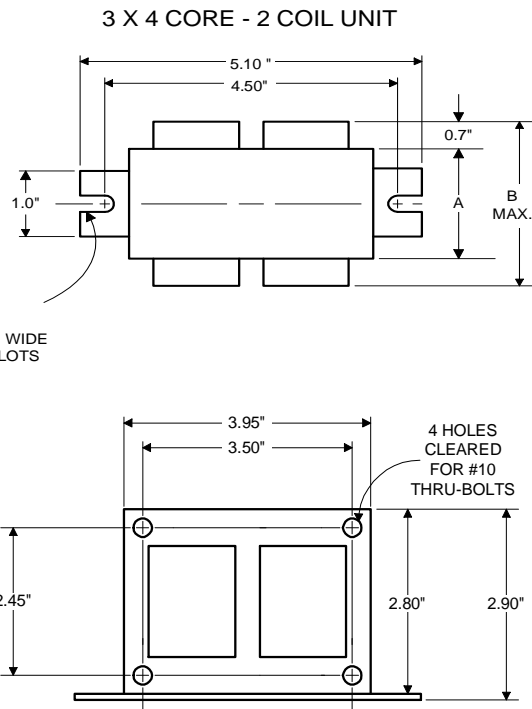




Metal
Halide
Lamp Ballast

Catalog Number 71A55A3
For 175W M137/M152 (P.S.)
60 Hz SUPER-CWA
Status: Active

DIMENSIONS AND DATA



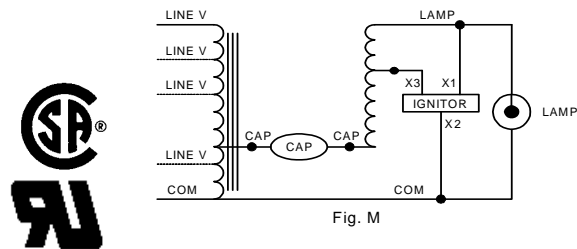
| | | | | | |
|--|----------------|-----------|-----------|---|---|
| INPUT VOLTS | 120 | 277 | 347 | | |
| CIRCUIT TYPE | SUPER-CWA | | | | |
| POWER FACTOR (min) | 09% | | | | |
| REGULATION | | | | | |
| Line Volts | ±10% | | | | |
| Lamp Watts | ±10% | | | | |
| LINE CURRENT (Amps) | | | | | |
| Operating..... | 1.80 | 0.80 | 0.65 | | |
| Open Circuit..... | 1.90 | 0.85 | 0.70 | | |
| Starting..... | 0.70 | 0.30 | 0.25 | | |
| UL TEMPERATURE RATINGS | | | | | |
| Insulation Class | H(180°C) | | | | |
| Coil Temperature Code | 1029 | | | | |
| | C | C | C | | |
| MIN. AMBIENT STARTING TEMP. | -20°F or -30°C | | | | |
| NOM. OPEN CIRCUIT VOLTAGE | 275 | | | | |
| INPUT VOLTAGE AT LAMP DROPOUT..... | 60 | 138 | 174 | | |
| INPUT WATTS | 208 | | | | |
| RECOMMENDED FUSE (Amps)..... | 5 | 3 | 2 | | |
| CORE and COIL | | | | | |
| Dimension (A) | 2.24 | | | | |
| Dimension (B) | 3.50 | | | | |
| Weight (lbs.) | 7 | | | | |
| Lead Lengths | 12" | | | | |
| CAPACITOR REQUIREMENT | | | | | |
| Microfarads | 11.0 | | | | |
| Volts (min.) | 370 | | | | |
| Fault Current Withstand (amps) | | | | | |
| 60 Hz TEST PROCEDURES (Refer to Advance Test Procedure for HID Ballasts - Form 1270) | | | | | |
| High Potential Test (Volts) | | | | | |
| 1 minute | 2000 | | | | |
| 2 seconds | 2500 | | | | |
| Open Circuit Voltage Test (Volts) | 250-300 | | | | |
| Short-Circuit Current Test (Amps) | | | | | |
| Secondary Current | 1.60-1.95 | | | | |
| Input Current..... | 0.40-0.60 | 0.19-0.30 | 0.15-0.25 | - | - |

Capacitor: 7C110M40



Capacitance: 11
Dia/Oval Dim: 1.65
Height: 3.75
Temp Rating: 105°C

Wiring Diagram:



Ordering Information

| Order Suffix | Description |
|--------------|-------------|
| | |

Ignitor: LI533-H4



Red (X1)
White (X2)
Blue (X3)

Ballast to Lamp Distance (BTL) = 2 feet
Temp Rating: 105°C

Data is based upon tests performed by Advance Transformer in a controlled environment and representative of relative performance. Actual performance can vary depending on operating conditions. Specifications are subject to change without notice.

ADVANCE TRANSFORMER CO.

O'HARE INTERNATIONAL CENTER · 10275 WEST HIGGINS ROAD · ROSEMONT, IL 60018
Customer Support/Technical Service: Phone: 800-372-3331 · Fax: 847-768-7768
Corporate Offices: Phone: 800-322-2086

06/25/03