



Core & Coil (71A) MH 175W - 450W

CORE & COIL HID MH BAL 175W M137/M152
120/277/347V C&C

The basic ballast is the open core and coil which is most often used as a component within a lighting luminaire. The core and coil also forms the nucleus of Philips Advance's five other ballast configurations.

Product data

• General Characteristics

Lamp Type	175W MH
Number of Lamps	1 piece
Line Voltage	120/277/347 V
Input Current (Operating)	1.8/0.8/0.65 A
Line Frequency	60 Hz
Circuit Type	SUPER-CWA
Ballast Type	Magnetic HID
Base Model	71A55A3
Core Size	3 X 4 (2 coil)
Suitable for Outdoor use?	Yes
Ignitor Catalog Number	LI533-H4
Ignitor Temp Rating	105°C
Capacitor value [µF]	11 MFD
Capacitor Catalog Number	7C110M40
Capacitor Requirements	370V
Capacitor Temp Rating	105°C
Capacitor Dia/Oval Dim	1.65 in
Capacitor Height	3.75 in
Family Name	Core & Coil MH

• Operating Characteristics

Automatic restart	No
Input Voltage at Lamp Dropout	60/138/174 V
Nominal Open Circuit Voltage	275 V
Inp. Current (Open Circuit)	1.9/0.85/0.7 A

Input Current (Starting)	0.7/0.3/0.25 A
Input Current Short Circuit	0.4-0.6/0.19-0.3/0.15-0.25 A
Secondary ShortCircuit Current	1.6-1.95 A
Input Power Gear	208 W
Constant wattage deviation	10%
Ballast factor	1 -
Power Factor	0.90

• Wiring Characteristics

Wire Striplength	0.5 mm
Wire Length by Color	12"
Wire Type	Stranded
Allowed Wiring Config(Remote)	Yes
Max Dist. Ball to Lamp(Remote)	2'
Recommended Fuse	5/3/2 A

• System Chars on driver level

Rated Lamp Watts	175W
------------------	------

• Product Dimensions

Length A1	3.9 in
Length A2	3.5 in
Width B1	2.8 in
Coil Depth C1	3.5 in
Stack Height C2	2.24 in
Width B2	2.4 in

PHILIPS

Core & Coil (71A) MH 175W - 450W

• Approval & Application Chars

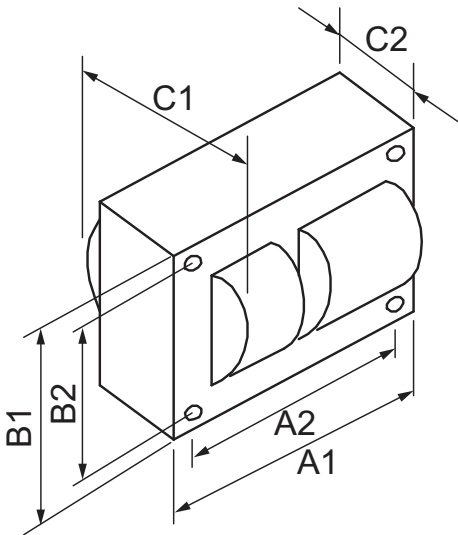
Approbation Marks	ULR, CSA, RoHS
CE marking	No
VDE certificate	No
UL Listed	No
CSA certificate	Yes
CCC certificate	No
Chia Quality Certificate	No
Temperature marking	C/C/C
CEC Listing	No
cUL certificate	No
EISA	No
ETL Certificate	No
FIDE Certificate	No
NOM certificate	No
RoHS Compliant	Yes
SASO Certificate	No
UL Recognized	Yes
ANSI Code	M137/M152
HiPot Test (1 minute)	2000 V

HiPot Test (2 seconds)	2500 V
Open Circ Voltage Test (Volts)	250-300 V
UL Insulation Class	H(180°C)
UL Temperature Code	1029C

• Product Data

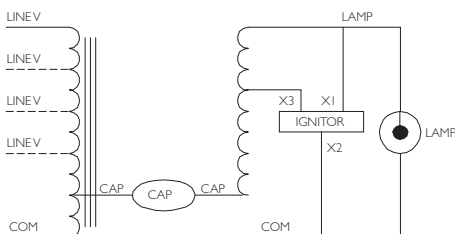
Product number	71A55A3500D
Full product name	MH BAL 175W M137/M152 120/277/347V C&C
Short product name	MH BAL 175W M137/M152 120/277/347V C&C
Pieces per Sku	1
Skus/Case	4
Bar code on pack	781087120644
Bar code on case	50781087120649
Logistics code(s)	913700501721
eop_net_weight_pp	3.389 kg

Dimensional drawing



CORE & COIL HID MH BAL 175W M137/M152 120/277/347V C&C

Product	A1 (Norm)	A2 (Norm)	B1 (Norm)	B2 (Norm)	C1 (Norm)	C2 (Norm)
MH BAL 175W M137/M152 120/277/347V C&C	3.9	3.5	2.8	2.4	3.5	2.24





© 2014 Koninklijke Philips N.V. (Royal Philips)
All rights reserved.

Specifications are subject to change without notice. Trademarks are the property of Koninklijke Philips N.V. (Royal Philips) or their respective owners.

www.philips.com/lighting

2014, March 26
data subject to change