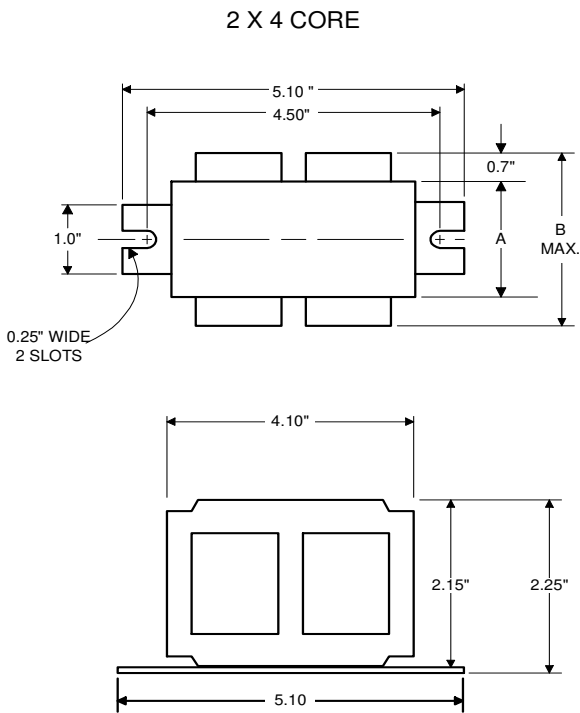


**PHILIPS
ADVANCE**

**Metal
Halide
Lamp Ballast**

**Catalog Number 71A5105P
For 50W M110
60 Hz HX-NPF
Status: Active**

DIMENSIONS AND DATA

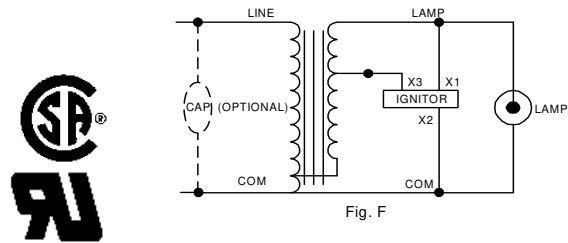


INPUT VOLTS	120				
CIRCUIT TYPE	HX-NPF				
POWER FACTOR (min)	30%				
REGULATION					
Line Volts	±5%				
Lamp Watts	±10%				
LINE CURRENT (Amps)					
Operating.....	1.82				
Open Circuit.....	0.24				
Starting.....	2.00				
UL TEMPERATURE RATINGS					
Insulation Class	H(180°C)				
Coil Temperature Code	1029				A
MIN. AMBIENT STARTING TEMP.	-30°F or -35°C				
NOM. OPEN CIRCUIT VOLTAGE	275				
INPUT VOLTAGE AT LAMP DROPOUT.....	85				
INPUT WATTS	67				
RECOMMENDED FUSE (Amps).....	5				
CORE and COIL					
Dimension (A)	1.10				
Dimension (B)	2.04				
Weight (lbs.)	2.35				
Lead Lengths	12"				
CAPACITOR REQUIREMENT					
Microfarads					
Volts (min.)					
Fault Current Withstand (amps)					
60 Hz TEST PROCEDURES (Refer to Advance Test Procedure for HID Ballasts - Form 1270)					
High Potential Test (Volts)					
1 minute	2000				
2 seconds	2500				
Open Circuit Voltage Test (Volts)	248-302				
Short-Circuit Current Test (Amps)					
Secondary Current	0.71-0.87				
Input Current.....	1.69-2.53	-	-	-	-

Capacitor:

This ballast does not require the use of a capacitor.

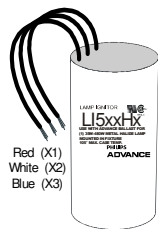
Wiring Diagram:



Ordering Information

Order Suffix	Description

Ignitor: LI533-H4



Ballast to Lamp Distance (BTL) = 20 feet
Temp Rating: 105°C

Data is based upon tests performed by Philips Lighting Electronic N.A. in a controlled environment and representative of relative performance. Actual performance can vary depending on operating conditions. Specifications are subject to change without notice.

Philips Lighting Electronic N.A.

10275 West Higgins Road · Rosemont, IL 60018 · Tel:800-322-2086 Fax:888-432-1882
Customer Support/ Technical Service:800-372-3331 · OEM Support: 866-915-5886

03/02/07