



Core & Coil (71A) MH < 175W

CORE & COIL HID MH BAL 50W M110 120V C&C

The basic ballast is the open core and coil which is most often used as a component within a lighting luminaire. The core and coil also forms the nucleus of Philips Advance's five other ballast configurations.

Product data

• General Characteristics

Lamp Type	50W MH
Number of Lamps	1 piece
Line Voltage	120 V
Input Current (Operating)	0.65 A
Line Frequency	60 Hz
Circuit Type	HX-PFC
Ballast Type	Magnetic HID
Base Model	71A5105P
Core Size	2 X 4
Suitable for Outdoor use?	Yes
Ignitor Catalog Number	LI533-H4
Ignitor Temp Rating	105°C
Capacitor value [µF]	28 MFD
Capacitor Catalog Number	7C280M12RA
Capacitor Requirements	120V
Capacitor Temp Rating	105°C
Capacitor Dia/Oval Dim	1.65 in
Capacitor Height	2.75 in
Family Name	Core & Coil MH

• Operating Characteristics

Automatic restart	No
Input Voltage at Lamp Dropout	85 V
Nominal Open Circuit Voltage	275 V
Inp. Current (Open Circuit)	1.23 A

Input Current (Starting)	0.63 A
Input Current Short Circuit	0.55-0.83 A
Secondary ShortCircuit Current	0.71-0.87 A
Input Power Gear	67 W
Constant wattage deviation	10%
Ballast factor	1 -
Power Factor	0.85

• Wiring Characteristics

Wire Striplength	0.5 mm
Wire Length by Color	12"
Wire Type	Stranded
Allowed Wiring Config(Remote)	Yes
Max Dist. Ball to Lamp(Remote)	20'
Recommended Fuse	4 A

• System Chars on driver level

Rated Lamp Watts	50W
------------------	-----

• Product Dimensions

Length A1	4.2 in
Width B1	2.2 in
Coil Depth C1	2.04 in
Stack Height C2	1.1 in

PHILIPS

Core & Coil (71A) MH < 175W

• Approval & Application Chars

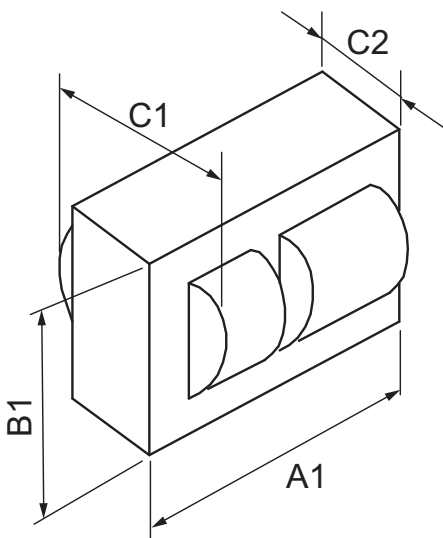
Approbation Marks	ULR, CSA, RoHS
CE marking	No
VDE certificate	No
UL Listed	No
CSA certificate	Yes
CCC certificate	No
Chia Quality Certificate	No
Temperature marking	A
CEC Listing	No
cUL certificate	No
EISA	No
ETL Certificate	No
FIDE Certificate	No
NOM certificate	No
RoHS Compliant	Yes
SASO Certificate	No
UL Recognized	Yes
ANSI Code	M110

HiPot Test (1 minute)	2000 V
HiPot Test (2 seconds)	2500 V
Open Circ Voltage Test (Volts)	248-302 V
UL Insulation Class	H(180°C)
UL Temperature Code	1029A

• Product Data

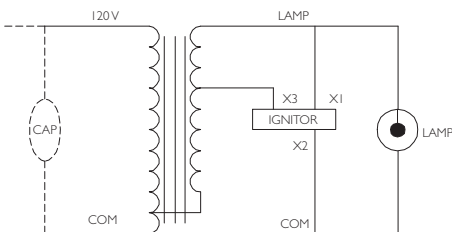
Product number	71A5105500DP
Full product name	MH BAL 50W M110 120V C&C
Short product name	MH BAL 50W M110 120V C&C
Pieces per Sku	1
Skus/Case	12
Bar code on pack	781087105030
Bar code on case	50781087105035
Logistics code(s)	913700530509
eop_net_weight_pp	1.380 kg

Dimensional drawing



CORE & COIL HID MH BAL 50W M110 120V C&C

Product	A1 (Norm)	A2 (Norm)	B1 (Norm)	B2 (Norm)	C1 (Norm)	C2 (Norm)
MH BAL 50W M110 120V C&C	4.2	-	2.2	-	2.04	1.1



© 2014 Koninklijke Philips N.V. (Royal Philips)
All rights reserved.

Specifications are subject to change without notice. Trademarks are the property of Koninklijke Philips N.V. (Royal Philips) or their respective owners.

www.philips.com/lighting

2014, March 1
data subject to change