

Core & Coil (71A) LPS

CORE & COIL HID LPS BAL 35/55W L70/71 QUAD C&C

The basic ballast is the open core and coil which is most often used as a component within a lighting luminaire. The core and coil also forms the nucleus of Philips Advance's five other ballast configurations.

Product data

• General Characteristics

Lamp Type	55W LPS
Number of Lamps	1 piece
Line Voltage	120/208/240/277 V
Input Current (Operating)	0.73/0.42/0.36/0.32 A
Line Frequency	60 Hz
Circuit Type	HX-HPF
Ballast Type	Magnetic HID
Base Model	71A0490
Core Size	3 X 4 (2 coil)
Suitable for Outdoor use?	Yes
Capacitor value [μ F]	14 MFD
Capacitor Catalog Number	7C140M30RA
Capacitor Requirements	240V
Capacitor Temp Rating	105°C
Capacitor Dia/Oval Dim	1.65 in
Capacitor Height	2.75 in
Family Name	Core & Coil LPS

• Operating Characteristics

Automatic restart	No
Input Voltage at Lamp Dropout	60/104/120/139 V
Nominal Open Circuit Voltage	480 V
Inp. Current (Open Circuit)	2.35/1.39/1.18/0.98 A
Input Current (Starting)	0.8/0.46/0.39/0.36 A

Input Current Short Circuit	0.36-0.54/0.23-0.34/0.2-0.3/0.16-0.25 A
Secondary ShortCircuit Current	0.5-0.7 A
Input Power Gear Constant wattage deviation	80 W 10%
Ballast factor	1 -
Power Factor	0.90

• Wiring Characteristics

Wire Striplength	0.5 mm
Wire Length by Color	12"
Wire Type	Stranded
Allowed Wiring Config(Remote)	Yes
Max Dist. Ball to Lamp(Remote)	Determined by AWG used
Recommended Fuse	6/4/3/3 A

• System Chars on driver level

Rated Lamp Watts	55W
------------------	-----

• Product Dimensions

Length A1	3.9 in
Length A2	3.5 in
Width B1	2.8 in
Coil Depth C1	3.5 in
Stack Height C2	2.25 in
Width B2	2.4 in

Core & Coil (71A) LPS

• Approval & Application Chars

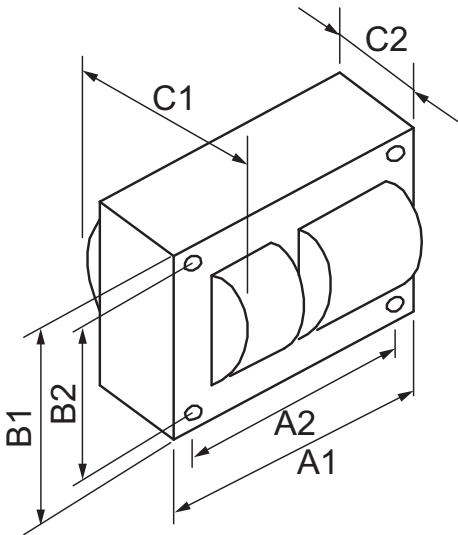
Approbation Marks	ULR, CSA, RoHS
CE marking	No
VDE certificate	No
UL Listed	No
CSA certificate	Yes
CCC certificate	No
Chia Quality Certificate	No
Temperature marking	A/A/A/A
CEC Listing	No
cUL certificate	No
EISA	No
ETL Certificate	No
FIDE Certificate	No
NOM certificate	No
RoHS Compliant	Yes
SASO Certificate	No
UL Recognized	Yes
ANSI Code	L71
HiPot Test (1 minute)	2000 V

HiPot Test (2 seconds)	2500 V
Open Circ Voltage Test (Volts)	430-530 V
UL Insulation Class	H(180°C)
UL Temperature Code	1029A

• Product Data

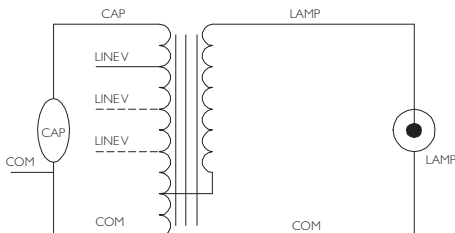
Product number	71A0490500D
Full product name	LPS BAL 35/55W L70/71 QUAD C&C
Short product name	LPS BAL 35/55W L70/71 QUAD C&C
Pieces per Sku	1
Skus/Case	6
Bar code on pack	781087119990
Bar code on case	50781087119995
Logistics code(s)	913700502041
eop_net_weight_pp	3.071 kg

Dimensional drawing



CORE & COIL HID LPS BAL 35/55W L70/71 QUAD C&C

Product	A1 (Norm)	A2 (Norm)	A3 (Norm)	B1 (Norm)	B2 (Norm)	C1 (Norm)	C2 (Norm)	C3 (Norm)
LPS BAL 35/55W L70/71 QUAD C&C	3.9	3.5	-	2.8	2.4	3.5	2.25	-





© 2014 Koninklijke Philips N.V. (Royal Philips)
All rights reserved.

Specifications are subject to change without notice. Trademarks are the property of Koninklijke Philips N.V. (Royal Philips) or their respective owners.

www.philips.com/lighting

2014, February 23
data subject to change