



✉ 33 West Beaver Creek Road Richmond Hill
Ontario Canada L4B 1L8

☎ 800.660.5391

☎ 800.660.5390


✉ info@eurofase.com

🌐 www.eurofase.com



MARTELLATO , 8-LIGHT PENDANT

Product Specifications

Item No.: 19513-027
 Height: 6"
 Chain / Cord Length: 72"
 Width: 17.75"
 Length: 17.75"
 Est. Shipping Weight: 28.91 lbs
 No. of Bulbs: 8
 Bulb Wattage: 40 watts
 Bulb Type: G9 
 Bulb Base: G9
 Bulb Voltage: 120 volts

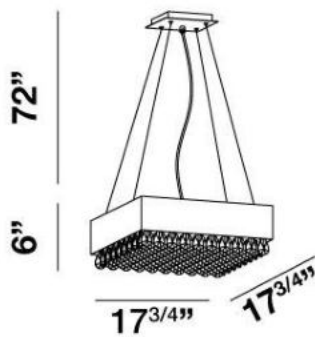
Options Available

ITEM CODE	FINISH	SHADE
19513-034	chrome	pink
19513-058	chrome	red
19513-027	chrome	smoke
19513-041	chrome	amber
19513-010	chrome	clear

Embossed silver sheets compose the influential rectangular framework, providing a subtle texture and intricate depth. This impressive design is contrasted with a bed of crystal-cut droplets that sway translucently from the base, and scatter light in a daring prism of creativity.

Colour / Shades Available

FINISH	SHADE
chrome	 pink
chrome	 red
chrome	 smoke
chrome	 amber
chrome	 clear



Project Information

Job Name: _____ Date: _____ Type: _____
 Comments: _____