




✉ 33 West Beaver Creek Road Richmond Hill
Ontario Canada L4B 1L8
☎ 800.660.5391
☎ 800.660.5390
✉ info@eurofase.com
🌐 www.eurofase.com



CALEDON , 1-LIGHT WALL SCONCE

Product Specifications

Collection: Illuminations
Item No.: 17404-013
Height: 9"
Extension: 4.5"
Length: 9"
Est. Shipping Weight: 2.72 lbs
No. of Bulbs: 1
Bulb Wattage: 60 watts
Bulb Type: B10 
Bulb Base: E12
Bulb Voltage: 120 volts

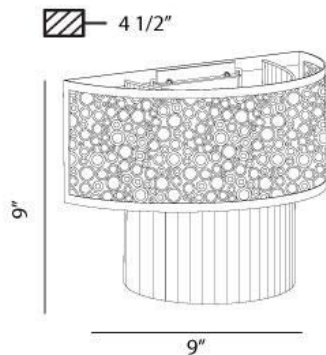
Options Available

ITEM CODE	FINISH	SHADE
17404-013	satin nickel	white

Colour / Shades Available

FINISH	SHADE
satin nickel 	white

A lithe and webbed silvery framework is enshrined within a sharply line satin nickel border. It provides a light yet emphasizing touch to the white pleated drum shade it encases- the zenith of ethereal, weightless lighting.



Project Information

Job Name: _____ Date: _____ Type: _____
Comments: _____

