

ELA-12V-42AH BATTERY DATA SHEET

General Application

ELHR-12V-42AH is a general purpose battery with 4~6 years in standby service or more than 400 cycles at 50% depth of discharge in cycle service.

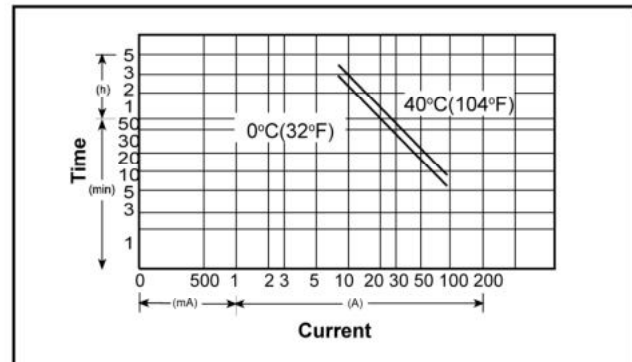
Specification

• NOMINAL VOLTAGE	: 12 V
• NOMINAL CAPACITY(20 hr)	: 42.0 Ah
• DIMENSIONS	
TOTAL HEIGHT	: 170 mm (6.69 inches)
CONTAINER HEIGHT	: 170 mm (6.69 inches)
LENGTH	: 197 mm (7.76 inches)
WIDTH	: 165 mm (6.50 inches)
• WEIGHT	: APPROX 13.1 Kg (28.89 lbs)
• CONTAINER MATERIAL	: UL94HB ABS
	: UL94V-0 ABS
• INTERNAL RESISTANCE(25°C , 77 °F)	: ~8mΩ
• DISCHARGE CAPACITY UNDER DIFFERENT TEMPERATURES	
40°C	: ~102%
25°C	: ~100%
0 °C	: ~85%

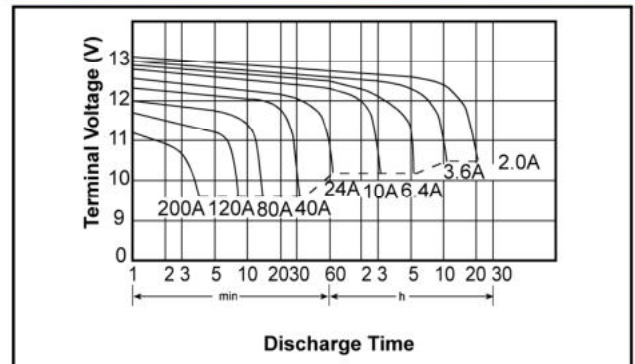
Characteristics

• CAPACITY 25 °C / 77 °F	
20 hr @ 2 A	: 42 Ah
5 hr @ 6.4 A	: 33.6 Ah
1 hr @ 24 A	: 25.2 Ah
1 C @ 40 A	: 21 Ah
• CHARGING VOLTAGE (25°C , 77 °F)	
STANDBY USE	: 13.65V±0.15 V
CYCLE USE	: 14.7V ± 0.3V
• MAX DISCHARGE CURRENT	: 400 A (5 sec)
• MAX CHARGING CURRENT	: 12 A
• SELF-DISCHARGE RESIDUAL CAPACITY(25°C , 77 °F)	
AFTER 3 MONTHS	: 90%
AFTER 6 MONTHS	: 82%
AFTER 12 MONTHS	: 70%

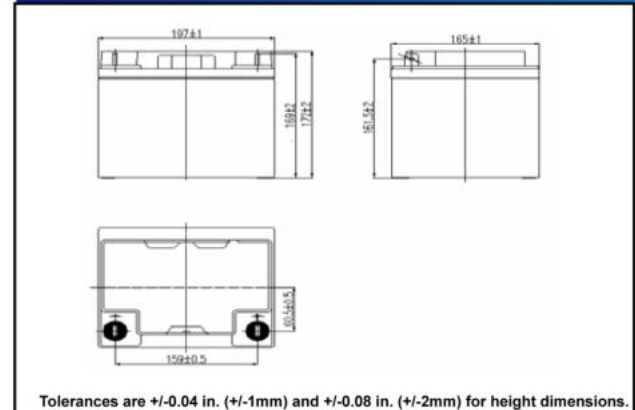
Discharge Current vs Time



Discharge Characteristics @25 °C (77 °F)



Dimensions



Terminal

