

ELA-12V-7.2AH BATTERY DATA SHEET

General Application

ELA-12V-7.2AH is a general purpose battery with 3~5 years in standby service or more than 400 cycles at 50% depth of discharge in cycle service.

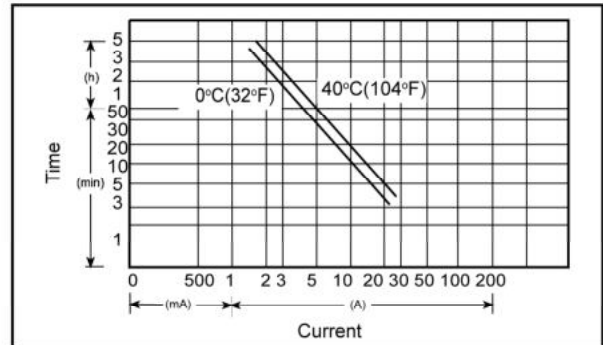
Specification

• NOMINAL VOLTAGE	: 12 V
• NOMINAL CAPACITY(20 hr)	: 7.2 Ah
• DIMENSIONS	
TOTAL HEIGHT	: 100 mm (3.94 inches)
CONTAINER HEIGHT	: 94 mm (3.70 inches)
LENGTH	: 151 mm (5.94 inches)
WIDTH	: 65 mm (2.56 inches)
• WEIGHT	: APPROX 2.45 Kg (5.40 lbs)
• CONTAINER MATERIAL	: UL94HB ABS
	: UL94V-0 ABS
• INTERNAL RESISTANCE(25°C , 77 °F)	: ~22mΩ
• DISCHARGE CAPACITY UNDER DIFFERENT TEMPERATURES	
40°C	: ~102%
25°C	: ~100%
0 °C	: ~85%

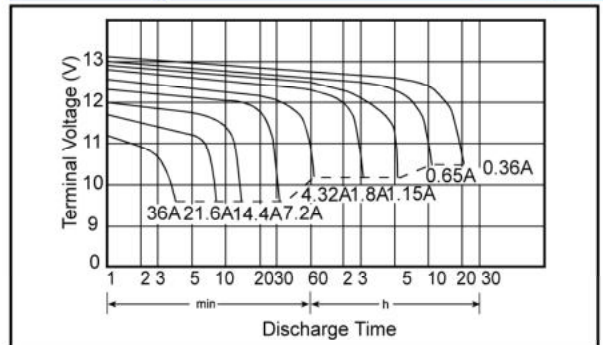
Characteristics

• CAPACITY 25 °C / 77 °F	
20 hr @ 0.36 A	: 7.2 Ah
5 hr @ 1.15A	: 5.76 Ah
1 hr @ 4.32 A	: 4.32 Ah
1 C @ 7.2 A	: 3.6 Ah
• CHARGING VOLTAGE (25°C , 77 °F)	
STANDBY USE	: 13.65V±0.15 V
CYCLE USE	: 14.7V ± 0.3 V
• MAX DISCHARGE CURRENT	: 90 A (5 sec)
• MAX CHARGING CURRENT	: 2.16 A
• SELF-DISCHARGE RESIDUAL CAPACITY(25°C , 77 °F)	
AFTER 3 MONTHS	: ~90%
AFTER 6 MONTHS	: ~82%
AFTER 12 MONTHS	: ~70%

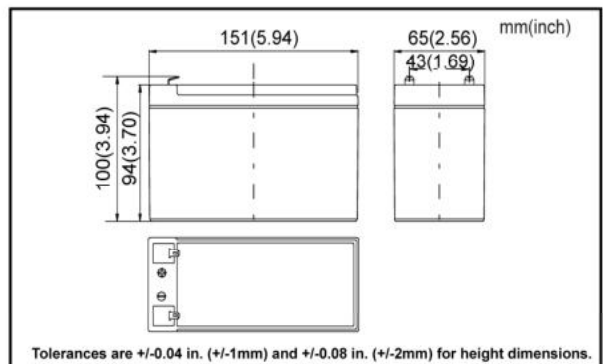
Discharge Current vs Time



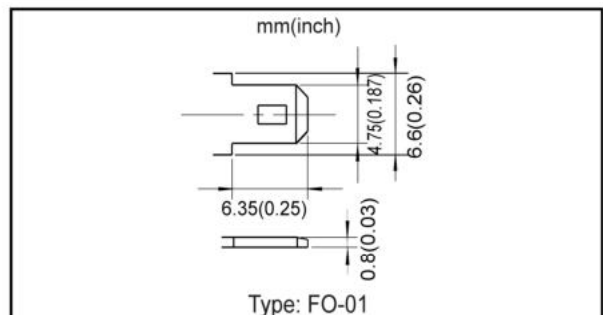
Discharge Characteristics @25 °C (77 °F)



Dimensions



Terminal



Canadalite.com Inc.

343 Rodick Road Unit 1, Markham ON L6G 1B1

Tel: 1(888) 459-6938

Fax: 1(888) 908-9455

info@canadalite.com

www.canadalite.com