

## UT432120



<b>Ballast Type:</b>	Electronic	<b>Starting Method:</b>	Instant Start
<b>Lamp Connection:</b>	Parallel	<b>Input Voltage:</b>	120
<b>Input Frequency:</b>	50/60 Hz	<b>Sound Rating:</b>	A
<b>Remote Mounting:</b>	18 ft Maximum	<b>Warranty:</b>	Five Years
<b>EOL Protection:</b>	No	<b>Max Case Temperature:</b>	70°C

## ELECTRICAL SPECIFICATIONS

Lamp Type	# of Lamps	Rated Lamp Watts	Min. Start Temp. (°F/°C)	Input Current (Amps)	Input Power (Watts)	Ballast Factor	Max THD %	Power Factor	Max L.C.C.F.	B.E.F																
*F32T8	4	32	0 / -18	0.92	108	0.86	10	0.99	1.70	0.80																
	3			0.77	90	0.90				1.00																
F32T8/ES (30W)	4	30	60 / 16	0.82	97	0.86				15	0.98	1.70	0.89													
	3			0.69	81	0.90							1.11													
F32T8/ES (28W)	4	28		60 / 16	0.75	88							0.86	15	0.97	1.70	0.98									
	3				0.61	72							0.90				1.25									
F32T8/ES (25W)	4	25			60 / 16	0.71							83				0.86	15	0.97	1.70	1.04					
	3					0.58							68				0.90				1.32					
F25T8	4	25				0 / -18							0.71				83				0.90	15	0.98	1.70	1.08	
	3												0.58				68				0.92				1.35	
F17T8	4	17					0 / -18	0.54	64				0.90				15				0.98				1.70	1.41
	3							0.45	53				0.94													1.77

\* Main Lamp Type

## REGULATORY COMPLIANCE

- Meets ANSI Standard C82.11-1993
- Meets ANSI Standard C62.41-1991
- Meets FCC Part 18 Class A for EMI & RFI (Non-Consumer Limits)
- No PCB's
- cULus Listed (Class P, Type 1 Outdoor, Type HL)



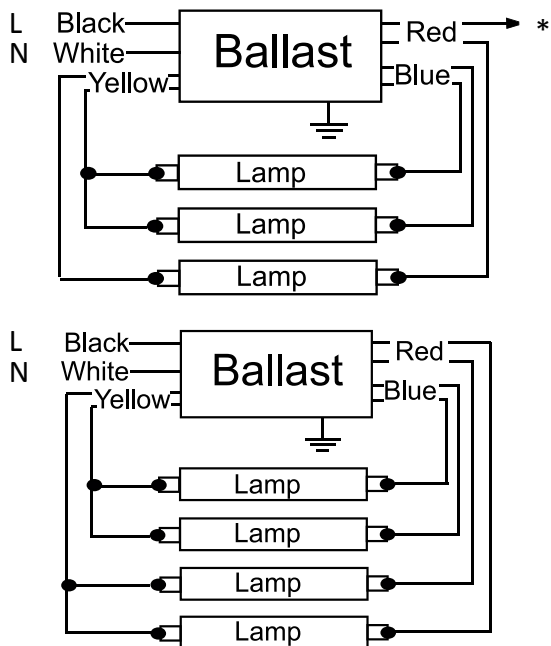
ULTRASAVE LIGHTING LTD.

12-140 AMBER STREET, MARKHAM, ON L3R 3J8 TEL 905.940.0888 FAX 905.940.0338 WWW.ULTRASAVE.CA

Data published here is based on the result of a test under a controlled environment. Actual performance can vary depending on operating conditions. Specifications are subject to change without notice. D1612USL

## PHYSICAL CHARACTERISTICS

### WIRING DIAGRAM



\*Cap off one red wire separately

### LEAD LENGTH

Wire	in
Black	19
White	19
Blue	31
Red	31
Yellow	47

### CASE DIMENSIONS

Overall (L)	9.50"
Width (W)	1.72"
Height (H)	1.18"
Mounting (M)	8.90"

## ORDERING INFORMATION

Model #	Carton Weight	Carton Dimensions LxWxH	Carton Quantity	Skid Quantity
UT432120	29.80 lbs	11.02" x 10.63" x 9.06"	20	1000

ULTRASAVE LIGHTING LTD.

12-140 AMBER STREET, MARKHAM, ON L3R 3J8

TEL 905.940.0888

FAX 905.940.0338

WWW.ULTRASAVE.CA

Data published here is based on the result of a test under a controlled environment. Actual performance can vary depending on operating conditions. Specifications are subject to change without notice. D1612USL