

## UT332120



<b>Ballast Type:</b>	Electronic	<b>Starting Method:</b>	Instant Start
<b>Lamp Connection:</b>	Parallel	<b>Input Voltage:</b>	120
<b>Input Frequency:</b>	50/60 Hz	<b>Sound Rating:</b>	A
<b>Remote Mounting:</b>	18 ft Maximum	<b>Warranty:</b>	Five Years
<b>EOL Protection:</b>	No	<b>Max Case Temperature:</b>	70°C

## ELECTRICAL SPECIFICATIONS

Lamp Type	# of Lamps	Rated Lamp Watts	Min. Start Temp. (°F/°C)	Input Current (Amps)	Input Power (Watts)	Ballast Factor	Max THD %	Power Factor	Max L.C.C.F.	B.E.F																
F32T8	3	32	0 / -18	0.69	83	0.89	10	0.99	1.70	1.07																
	2			0.53	64	0.96				1.50																
F32T8/ES (30W)	3	30	60 / 16	0.67	80	0.90				15	0.98	1.70	1.13													
	2			0.51	61	0.97							1.59													
F32T8/ES (28W)	3	28		60 / 16	0.63	75							0.90	15	0.98	1.70	1.20									
	2				0.48	58							0.97				1.67									
F32T8/ES (25W)	3	25			60 / 16	0.59							70				0.89	15	0.98	1.70	1.27					
	2					0.45							54				0.96				1.78					
F25T8	3	25				0 / -18							0.53				64				0.91	15	0.97	1.70	1.42	
	2												0.42				50				1.03				2.06	
F17T8	3	17					0 / -18	0.40	47				0.96				15				0.97				1.70	2.04
	2							0.30	36				1.05													2.92

## REGULATORY COMPLIANCE

- Meets ANSI Standard C82.11
- Meets ANSI Standard C62.41
- Meets FCC Part 18 Class A for EMI & RFI (Non-Consumer Limits)

- No PCB's
- RoHS Compliant
- cULus Listed (Class P, Type 1 Outdoor, Type HL)



ULTRASAVE LIGHTING LTD.

12-140 AMBER STREET, MARKHAM, ON L3R 3J8

TEL 905.940.0888

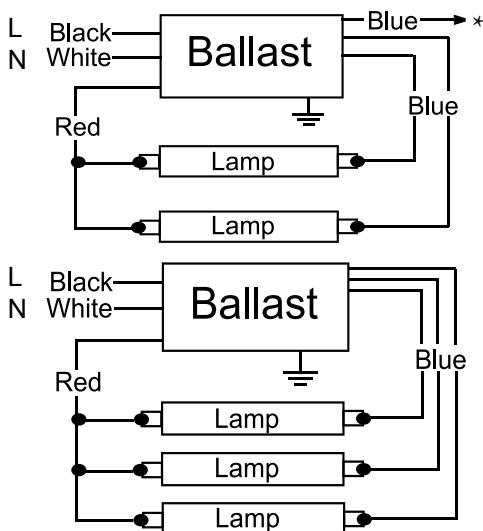
FAX 905.940.0338

WWW.ULTRASAVE.CA

Data published here is based on the result of a test under a controlled environment. Actual performance can vary depending on operating conditions. Specifications are subject to change without notice. H0211USL

## PHYSICAL CHARACTERISTICS

### WIRING DIAGRAM



\* Cap off blue wire separately

### LEAD LENGTH

Wire	in
Black	19
White	19
Blue	31
Red	47

### CASE DIMENSIONS

Overall (L)	9.50"
Width (W)	1.72"
Height (H)	1.18"
Mounting (M)	8.90"

## ORDERING INFORMATION

Model #	Carton Quantity	Carton Weight	Carton Dimensions LxWxH	Skid Quantity
UT332120	20	29.80 lbs	11.02" x 10.63" x 9.06"	1000

### ULTRASAVE LIGHTING LTD.

12-140 AMBER STREET, MARKHAM, ON L3R 3J8

TEL 905.940.0888

FAX 905.940.0338

WWW.ULTRASAVE.CA

Data published here is based on the result of a test under a controlled environment. Actual performance can vary depending on operating conditions. Specifications are subject to change without notice. H0211USL