

UT260347



| | | | |
|-------------------------|---------------|------------------------------|---------------|
| Ballast Type: | Electronic | Starting Method: | Instant Start |
| Lamp Connection: | Parallel | Input Voltage: | 347 |
| Input Frequency: | 50/60 Hz | Sound Rating: | A |
| Remote Mounting: | 18 ft Maximum | Warranty: | Five Years |
| EOL Protection: | No | Max Case Temperature: | 70°C |

ELECTRICAL SPECIFICATIONS

| Lamp Type | # of Lamps | Rated Lamp Watts | Min. Start Temp. (°F/°C) | Input Current (Amps) | Input Power (Watts) | Ballast Factor | Max THD % | Power Factor | Max L.C.C.F. | B.E.F |
|-----------|------------|------------------|--------------------------|----------------------|---------------------|----------------|-----------|--------------|--------------|-------|
| F96T8 | 2 | 59 | 32/0 | 0.21 | 72 | 1.18 | 10 | 0.99 | 1.70 | 1.75 |
| | 1 | | | 0.33 | 112 | 0.91 | | | | 0.81 |

REGULATORY COMPLIANCE

- Meets ANSI Standard C82.11
- Meets ANSI Standard C62.41
- Meets FCC Part 18 Class A for EMI & RFI (Non-Consumer Limits)

- No PCB's
- RoHS Compliant
- cULus Listed (Class P, Type 1 Outdoor, Type HL)



ULTRASAVE LIGHTING LTD.

12-140 AMBER STREET, MARKHAM, ON L3R 3J8

TEL 905.940.0888

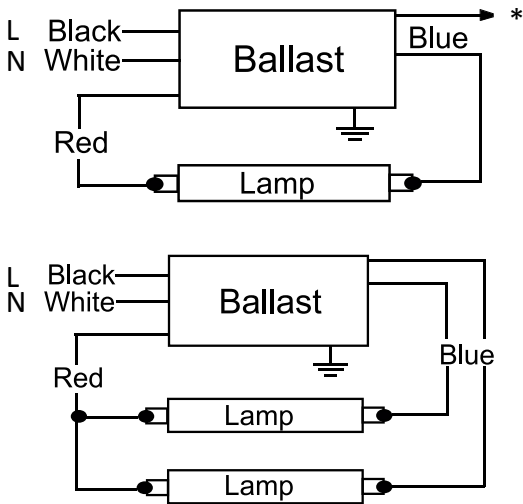
FAX 905.940.0338

WWW.ULTRASAVE.CA

Data published here is based on the result of a test under a controlled environment. Actual performance can vary depending on operating conditions. Specifications are subject to change without notice. L0607USL

PHYSICAL CHARACTERISTICS

WIRING DIAGRAM



*Cap off one blue wire separately

LEAD LENGTH

| Wire | in |
|-------|----|
| Black | 17 |
| White | 17 |
| Blue | 46 |
| Red | 70 |

CASE DIMENSIONS

| | |
|--------------|-------|
| Overall (L) | 9.50" |
| Width (W) | 1.72" |
| Height (H) | 1.18" |
| Mounting (M) | 8.90" |

ORDERING INFORMATION

| Model # | Carton Quantity | Carton Weight | Carton Dimensions LxWxH | Skid Quantity |
|----------|-----------------|---------------|-------------------------|---------------|
| UT260347 | 20 | 29.80 lbs | 11.02" x 10.63" x 9.06" | 1000 |

ULTRASAVE LIGHTING LTD.

12-140 AMBER STREET, MARKHAM, ON L3R 3J8

TEL 905.940.0888

FAX 905.940.0338

WWW.ULTRASAVE.CA

Data published here is based on the result of a test under a controlled environment. Actual performance can vary depending on operating conditions. Specifications are subject to change without notice. L0607USL