

## UT232120M



<b>Ballast Type:</b>	Electronic	<b>Starting Method:</b>	Instant Start
<b>Lamp Connection:</b>	Parallel	<b>Input Voltage:</b>	120 to 277
<b>Input Frequency:</b>	50/60 Hz	<b>Sound Rating:</b>	A
<b>Remote Mounting:</b>	18 ft Maximum	<b>Warranty:</b>	Five Years
<b>EOL Protection:</b>	No	<b>Max Case Temperature:</b>	70°C

## ELECTRICAL SPECIFICATIONS

Lamp Type	# of Lamps	Rated Lamp Watts	Min. Start Temp. (°F/°C)	Input Current (A) @120/277V	Input Power (Watts)	Ballast Factor	Max THD %	Power Factor	Max L.C.C.F.	B.E.F	
F32T8	2	32	0/-18	0.48 / 0.21	58	0.88	10	0.99	1.70	1.52	
	1			0.31 / 0.14	37	1.03	15	0.98		2.78	
F32T8/ES (30W)	2	30	60/16	0.46 / 0.22	57	0.91	10	0.99		1.60	
	1			0.29 / 0.13	36	0.95	15	0.98		2.64	
F32T8/ES (28W)	2	28		0.42 / 0.19	52	0.91	10	0.99		1.75	
	1			0.27 / 0.13	33	0.95	15	0.98		2.88	
F32T8/ES (25W)	2	25		0.40 / 0.18	49	0.91	10	0.99		1.86	
	1			0.25 / 0.12	31	0.95	15	0.98		3.06	
F25T8	2	25		0/-18	0.40 / 0.17	48	0.91	10		0.99	1.90
	1				0.25 / 0.11	30	1.06	15		0.98	3.53
F17T8	2	17			0.28 / 0.12	33	0.93	15		0.97	2.82
	1				0.18 / 0.08	22	1.07	15		0.95	4.86

## REGULATORY COMPLIANCE

- Meets ANSI Standard C82.11
- Meets ANSI Standard C62.41
- Meets FCC Part 18 Class A for EMI & RFI (Non-Consumer Limits)
- No PCB's
- cULus Listed (Class P, Type 1 Outdoor, Type HL)
- RoHS Compliant



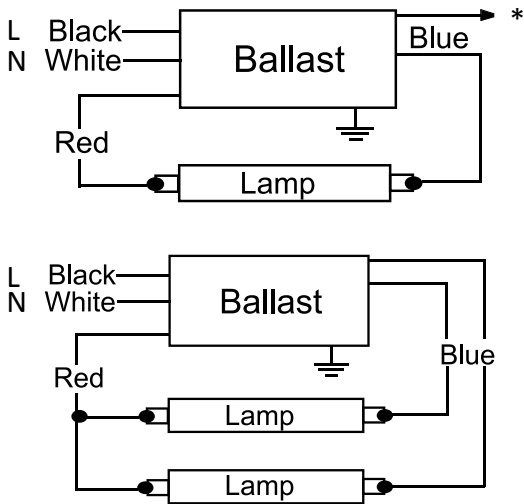
ULTRASAVE LIGHTING LTD.

12-140 AMBER STREET, MARKHAM, ON L3R 3J8 TEL 905.940.0888 FAX 905.940.0338 WWW.ULTRASAVE.CA

Data published here is based on the result of a test under a controlled environment. Actual performance can vary depending on operating conditions. Specifications are subject to change without notice. H0211USL

## PHYSICAL CHARACTERISTICS

### WIRING DIAGRAM



\*Cap off one blue wire separately

### LEAD LENGTH

Wire	in
Black	19
White	19
Blue	31
Red	47

### CASE DIMENSIONS

Overall (L)	9.50"
Width (W)	1.72"
Height (H)	1.18"
Mounting (M)	8.90"

## ORDERING INFORMATION

Model #	Carton Quantity	Carton Weight	Carton Dimensions LxWxH	Skid Quantity
UT232120M	20	28.70 lbs	11.02" x 10.63" x 9.06"	1000

### ULTRASAVE LIGHTING LTD.

12-140 AMBER STREET, MARKHAM, ON L3R 3J8

TEL 905.940.0888

FAX 905.940.0338

WWW.ULTRASAVE.CA

Data published here is based on the result of a test under a controlled environment. Actual performance can vary depending on operating conditions. Specifications are subject to change without notice. H0211USL